

Quais são os detalhes do nosso LED? Light Bard.?

Die-cast aluminum housing, surface treatment for electrostatic coating
UV-Stop PC lamp cover
Carcaça lâmpada selada

What are the specifications of ours [CARREGOU Light Bard.](#)?

Classe de isolamento	Fonte de energia	LED Current	Fator de potência	Ambiente de trabalho	Duração	CRI.	CCT.
Class I.	120-277V. 50 / 60Hz.	700mA.	> 0.95.	-35. ° C a +45 ° C.	> 30,000 hours	RA> 75.	3000K-6500K.

Código do produto

Ymeled-6218.

Qty LED.

4 PCS.

Poder nominal

8W.

Fluxo luminoso

500-600lm.

G.W / N.W.

5 / 4.5kgs.

Packing size

250x250x830mm.

Product photo.



YM-6218

RAL 7015



RAL 9005

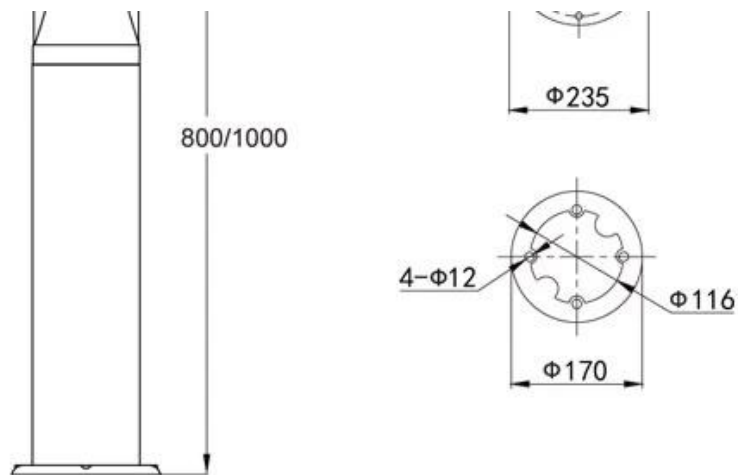


Die cast aluminum housing
CREE LED Chip / Meanwell driver
Height can be customized



CE IP65

Certificate



Configuration Data:

Protection grade	Corrosion-proof capability	Working condition	Isolation class	Power voltage	Max power
IP65	II 类	-35°C ~ +45°C	class I	120~277V 50/60Hz	8W(SMT)





Company Profile

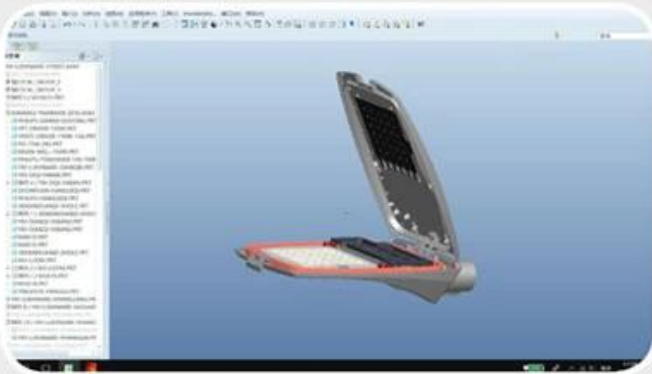
Yuyao Yangming Lighting Co., Ltd. is mainly engaged in the development and production of garden lighting. Founded in 2001, it has developed more than 200 kinds of Garden lights, street lights, lawn lights, footpath lights, light poles, led lights and wall lights.

Now we are creating our own brands and developing products suitable for market. Welcome all friends to contact us. We will make contribution to lightening your home.





Testing and Design



product design

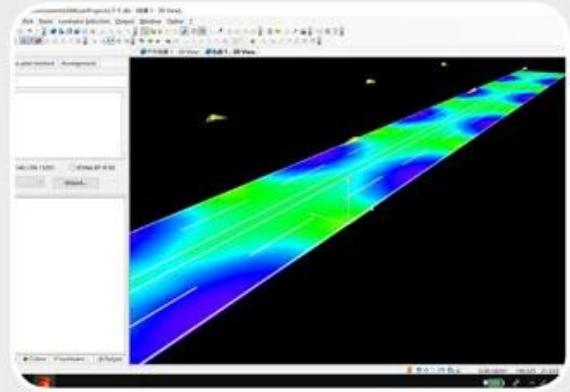


ingress protection (Ip) testing equipment.



led street lighting aging testing line.

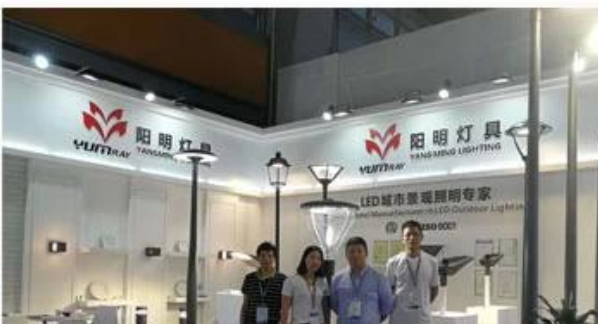
ingress protection (IP) testing equipment



road lighting simulation

ullbrich sphere for testing luminous flux

Exhibittion





Add : Minyin industrial Zone, Liangnong Town,
Yuyao,Zhenjiang,China

Sale: 0574-22222345 / 22719888

0574-22672345(Fax)

Hotline: 0574-62359099

0574-62359077(Fax)

Http://www.ym-lighting.com

www.yyym2001.1688.com

www.yangminglamps.en.alibaba.com

Packaging and shipping, Business terms:

envio

1. **FedEx / DHL / UPS / TNT** para **amostras**, De porta em porta,
2. **By air or by sea** para **Batches**, para FCL; Airport / port that receives,
3. Customers who specify trade shippers or shipping methods,
4. **Prazo de entrega**: 5.-7 dias para amostras; 15.-30. Days for batch goods.

Termos de pagamento

1. Pagamento: **T / T., Western Union, Moneygram., Paypal.; Depósitos de 30%; 70% de balanço** before the delivery,
2. MOQ: **1 pcs,**
3. Warranty: 5 years