

## What is the details of our [Garden Bollard luz?](#)

Die cast aluminum housing, surface treatment for electrostatic power coating  
UV-stop PC lamp cover  
Sealed lamp housing

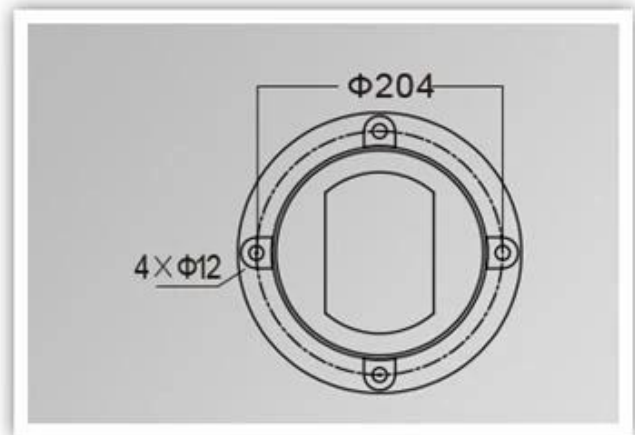
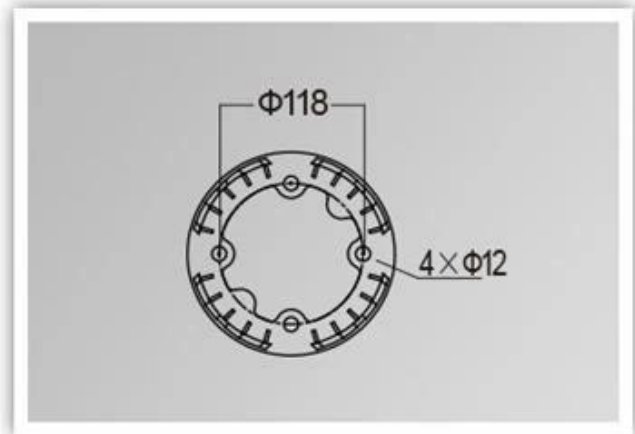
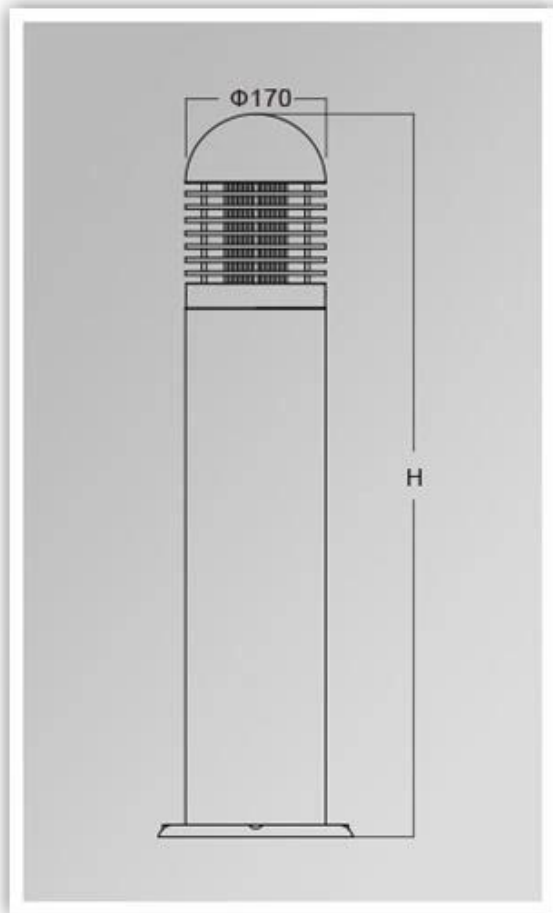
## What is the Specifications of our Garden light?

Insulation class	Fonte de energia	Protection grade	Corrosion-proof capability	Working Ambient	Suporte de lâmpada	poder maximo
Class I	220V. 50/60HZ	IP65	Class II	-35 °C to +45 °C	E27	35W

## Product Photos



## PRODUCT DIMENSIONS(MM)



## PRODUCT DETAILS



YM-6206A



YM-6206B



YM-6206C

### Packaging & Shipping ,Trade Terms:

#### Envio

1. **FedEx/DHL/UPS/TNT** para **samples**, De porta em porta,
2. **By Air or by Sea** para **batch goods**, for FCL; Airport/ Port receiving,
3. Customers specifying freight forwarders or negotiable shipping methods,
4. **Prazo de entrega:** 5.-7 days for samples; 15.-30. days for batch goods.

#### Termos de pagamento

1. Payment: **T/T, Western Union, MoneyGram, PayPal; 30% deposits; 70% balance** Antes da entrega,
2. MOQ: **1pcs**,
3. Warranty: 5years

