

## What is the details of our LED Garden light?

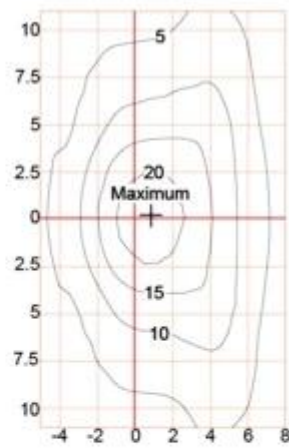
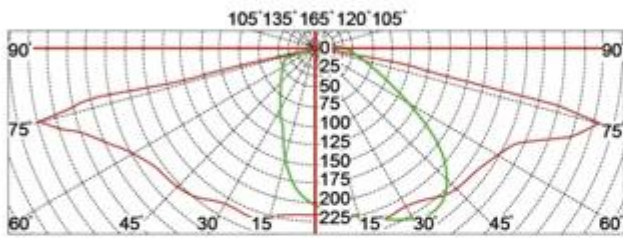
Spinning aluminum housing  
Sealed lamp housing  
Double photometric diffuser technology

## Configuration Data:

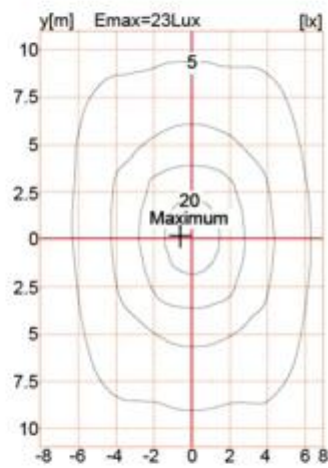
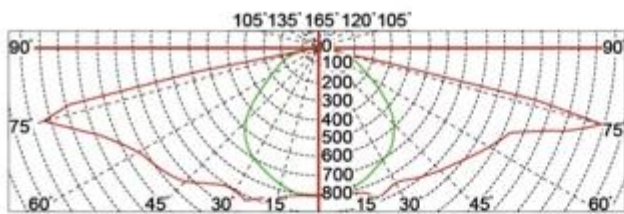
Product Code	Rated Power	LED Qty	Luminous Flux	G.W/N.W	Packing Size	Loading Qty
YMLED-6140(16)	30W	16	3810	7.5/6(kgs)	605*605*420mm	135PCS/20'GP
YMLED-6140(20)	55W	20	6985	7.5/6(kgs)	605*605*420mm	342PCS/40'HQ
YMLED-6140(24)	70W	24	8890	7.5/6(kgs)	605*605*420mm	

## Polar Diagram:

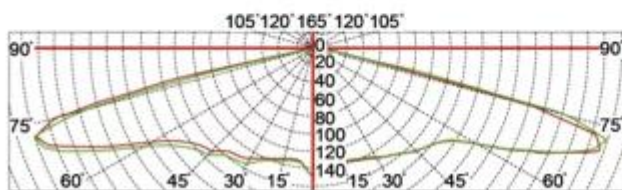
Type1



Type2



Type3





# YMLED-6140

RAL 7015



RAL 9005



**Product description:**  
 whole body Die cast aluminum housing  
 Double photometric diffuser technology  
 Supper white toughened glass  
 Sealed lamp housing

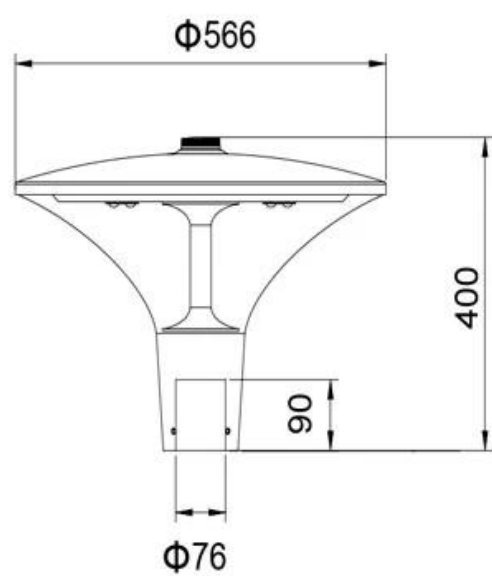
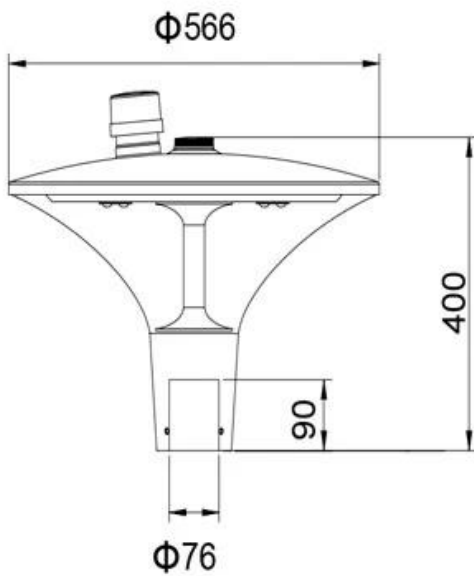


## Certificate





# Product Dimensions(mm)



# Internal Structure

