

## Quais são os detalhes do nosso [LED Street. luz?](#)

**O corpo inteiro morre alojamento de alumínio fundido**

**Tecnologia de difusor fotométrico duplo**

**Copo endurecido branco**

## Quais são as especificações da nossa rua LED? luz?

Classe de isolamento	Fonte de energia	Corrente led	Fator de potência	Ambiente de trabalho	Vida útil	Cril	Cct.
Classe I.	220-240V. 50 / 60Hz.	700mA.	> 0,95.	-40. ° C a +55 ° C	> 50.000hrs.	RA> 70.	3000k-6500K.

## Fotos do produto.



# YMLED-6408L

RAL 7015



RAL 9005



**Power range: 80W-180W**

**CREE XPG3 LED chip**

**Philips driver**

**>120LM/W**

**Quick and tool free open**



IP66

IK08



# Certificate

**Certificate of Compliance**

Certificate No.: **SH0272141938-11EC-1**

**Applicant:** FUJING YANSHENG LIGHTING CO., LTD  
 Meng Industrial Zone, Langfang Town, Hebei, Shandong, China  
**Manufacturer:** FUJING YANSHENG LIGHTING CO., LTD  
 Meng Industrial Zone, Langfang Town, Hebei, Shandong, China  
**Product Name:** LED DOWNLIGHT  
**Trade Name:** YANSHENG  
**Main Test Model:** YMS-D10-110V  
**Additional Model:** YMS-D10-220V, YMS-D10-110V, YMS-D10-220V, YMS-D10-110V, YMS-D10-220V, YMS-D10-110V, YMS-D10-220V, YMS-D10-110V, YMS-D10-220V, YMS-D10-110V, YMS-D10-220V

**Test Standard:** GB 3025.1-2013  
 GB 3025.2-2013  
 GB 3025.3-2013  
 GB 3025.4-2013  
 GB 3025.5-2013

As shown in the Test Report No.: **SH0272141938-11EC-1**

The EUT (applicant) above has been tested by us with the listed standards and found to be compliant with the related EMC directive 2014/53/EU. It is possible to use CE marking to demonstrate the compliance with the EMC Directive.  
 The certificate applies to the tested sample above mentioned only and shall not imply an assessment of the whole production.





Shenzhen BST Technology Co., Ltd.  
 Not Signing Office: Shenzhen, China. Certificate No.: SH0272141938-11EC-1  
 Not Signing Office: Langfang, China. Certificate No.: SH0272141938-11EC-1  
 Not Signing Office: Langfang, China. Certificate No.: SH0272141938-11EC-1

**Certificate of Compliance**

Certificate No.: **SH0272141938-11EC-2**

**Applicant:** FUJING YANSHENG LIGHTING CO., LTD  
 Meng Industrial Zone, Langfang Town, Hebei, Shandong, China  
**Manufacturer:** FUJING YANSHENG LIGHTING CO., LTD  
 Meng Industrial Zone, Langfang Town, Hebei, Shandong, China  
**Product Name:** LED DOWNLIGHT  
**Trade Name:** YANSHENG  
**Main Test Model:** YMS-D10-110V  
**Additional Model:** YMS-D10-220V, YMS-D10-110V, YMS-D10-220V, YMS-D10-110V, YMS-D10-220V, YMS-D10-110V, YMS-D10-220V, YMS-D10-110V, YMS-D10-220V, YMS-D10-110V, YMS-D10-220V

**Test Standard:** GB 3025.1-2013  
 GB 3025.2-2013  
 GB 3025.3-2013  
 GB 3025.4-2013  
 GB 3025.5-2013

As shown in the Test Report No.: **SH0272141938-11EC-2**

The EUT (applicant) above has been tested by us with the listed standards and found to be compliant with the related EMC directive 2014/53/EU. It is possible to use CE marking to demonstrate the compliance with the EMC Directive.  
 The certificate applies to the tested sample above mentioned only and shall not imply an assessment of the whole production.





Shenzhen BST Technology Co., Ltd.  
 Not Signing Office: Shenzhen, China. Certificate No.: SH0272141938-11EC-2  
 Not Signing Office: Langfang, China. Certificate No.: SH0272141938-11EC-2  
 Not Signing Office: Langfang, China. Certificate No.: SH0272141938-11EC-2

**Certificate of Compliance**

Certificate No.: **SH0272141938-11EC-2**

**Applicant:** FUJING YANSHENG LIGHTING CO., LTD  
 Meng Industrial Zone, Langfang Town, Hebei, Shandong, China  
**Manufacturer:** FUJING YANSHENG LIGHTING CO., LTD  
 Meng Industrial Zone, Langfang Town, Hebei, Shandong, China  
**Product Name:** LED DOWNLIGHT  
**Trade Name:** YANSHENG  
**Main Test Model:** YMS-D10-110V  
**Additional Model:** YMS-D10-220V, YMS-D10-110V, YMS-D10-220V, YMS-D10-110V, YMS-D10-220V, YMS-D10-110V, YMS-D10-220V, YMS-D10-110V, YMS-D10-220V, YMS-D10-110V, YMS-D10-220V

**Test Standard:** GB 3025.1-2013  
 GB 3025.2-2013  
 GB 3025.3-2013  
 GB 3025.4-2013  
 GB 3025.5-2013

As shown in the Test Report No.: **SH0272141938-11EC-2**

The EUT (applicant) above has been tested by us with the listed standards and found to be compliant with the related EMC directive 2014/53/EU. It is possible to use CE marking to demonstrate the compliance with the EMC Directive.  
 The certificate applies to the tested sample above mentioned only and shall not imply an assessment of the whole production.





Shenzhen BST Technology Co., Ltd.  
 Not Signing Office: Shenzhen, China. Certificate No.: SH0272141938-11EC-2  
 Not Signing Office: Langfang, China. Certificate No.: SH0272141938-11EC-2  
 Not Signing Office: Langfang, China. Certificate No.: SH0272141938-11EC-2

**Certificate of Compliance**

Certificate No.: **SH0272141938-11EC-1**

**Applicant:** FUJING YANSHENG LIGHTING CO., LTD  
 Meng Industrial Zone, Langfang Town, Hebei, Shandong, China  
**Manufacturer:** FUJING YANSHENG LIGHTING CO., LTD  
 Meng Industrial Zone, Langfang Town, Hebei, Shandong, China  
**Product Name:** LED DOWNLIGHT  
**Trade Name:** YANSHENG  
**Main Test Model:** YMS-D10-110V  
**Additional Model:** YMS-D10-220V, YMS-D10-110V, YMS-D10-220V, YMS-D10-110V, YMS-D10-220V, YMS-D10-110V, YMS-D10-220V, YMS-D10-110V, YMS-D10-220V, YMS-D10-110V, YMS-D10-220V

**Test Standard:** GB 3025.1-2013  
 GB 3025.2-2013  
 GB 3025.3-2013  
 GB 3025.4-2013  
 GB 3025.5-2013

As shown in the Test Report No.: **SH0272141938-11EC-1**

The EUT (applicant) above has been tested by us with the listed standards and found to be compliant with the related EMC directive 2014/53/EU. It is possible to use CE marking to demonstrate the compliance with the EMC Directive.  
 The certificate applies to the tested sample above mentioned only and shall not imply an assessment of the whole production.





Shenzhen BST Technology Co., Ltd.  
 Not Signing Office: Shenzhen, China. Certificate No.: SH0272141938-11EC-1  
 Not Signing Office: Langfang, China. Certificate No.: SH0272141938-11EC-1  
 Not Signing Office: Langfang, China. Certificate No.: SH0272141938-11EC-1

**ATTESTATION OF CONFORMITY**

**DEKRA**

**Issued to:** Fu Jing Yan Sheng Lighting Co., Ltd  
**For the product:** LED downlight  
**Product:** Fu Jing Yan Sheng Lighting Co., Ltd  
**Location:** Meng Industrial Zone  
**Model:** YMS-D10-110V, YMS-D10-220V, YMS-D10-110V, YMS-D10-220V, YMS-D10-110V, YMS-D10-220V, YMS-D10-110V, YMS-D10-220V, YMS-D10-110V, YMS-D10-220V, YMS-D10-110V, YMS-D10-220V  
**Manufacturer:** Fu Jing Yan Sheng Lighting Co., Ltd  
 Meng Industrial Zone, Langfang Town, Hebei, Shandong, China  
**Reference:** SH 0272141938-11EC-1  
 SH 0272141938-11EC-1  
 SH 0272141938-11EC-1  
 SH 0272141938-11EC-1

This attestation is granted in respect of an examination by DEKRA, the results of which are set forth in a certificate No. 1032008 00.

This attestation certifies that the examined type is in accordance with the technical description under the following conditions (if any):

The examination has been carried out on one single specimen of the product, submitted to the manufacturer. The manufacturer does not assume an approval of the manufacturer's production. Liability of the production with the equipment tested by DEKRA is not the responsibility of DEKRA.

Shanghai, 1 June 2017  
 Number: 1032008 00/002

DEKRA Testing and Certification (Shanghai) Co., Ltd.  
 Notary Public  
 Certification Manager  
 Signature: [Signature]




**ATTESTATION OF CONFORMITY**

**DEKRA**

**Issued to:** Fu Jing Yan Sheng Lighting Co., Ltd  
**For the product:** LED downlight  
**Product:** Fu Jing Yan Sheng Lighting Co., Ltd  
**Location:** Meng Industrial Zone  
**Model:** YMS-D10-110V, YMS-D10-220V, YMS-D10-110V, YMS-D10-220V, YMS-D10-110V, YMS-D10-220V, YMS-D10-110V, YMS-D10-220V, YMS-D10-110V, YMS-D10-220V, YMS-D10-110V, YMS-D10-220V  
**Manufacturer:** Fu Jing Yan Sheng Lighting Co., Ltd  
 Meng Industrial Zone, Langfang Town, Hebei, Shandong, China  
**Reference:** SH 0272141938-11EC-1  
 SH 0272141938-11EC-1  
 SH 0272141938-11EC-1  
 SH 0272141938-11EC-1

This attestation is granted in respect of an examination by DEKRA, the results of which are set forth in a certificate No. 1032008 00.

This attestation certifies that the examined type is in accordance with the technical description under the following conditions (if any):

The examination has been carried out on one single specimen of the product, submitted to the manufacturer. The manufacturer does not assume an approval of the manufacturer's production. Liability of the production with the equipment tested by DEKRA is not the responsibility of DEKRA.

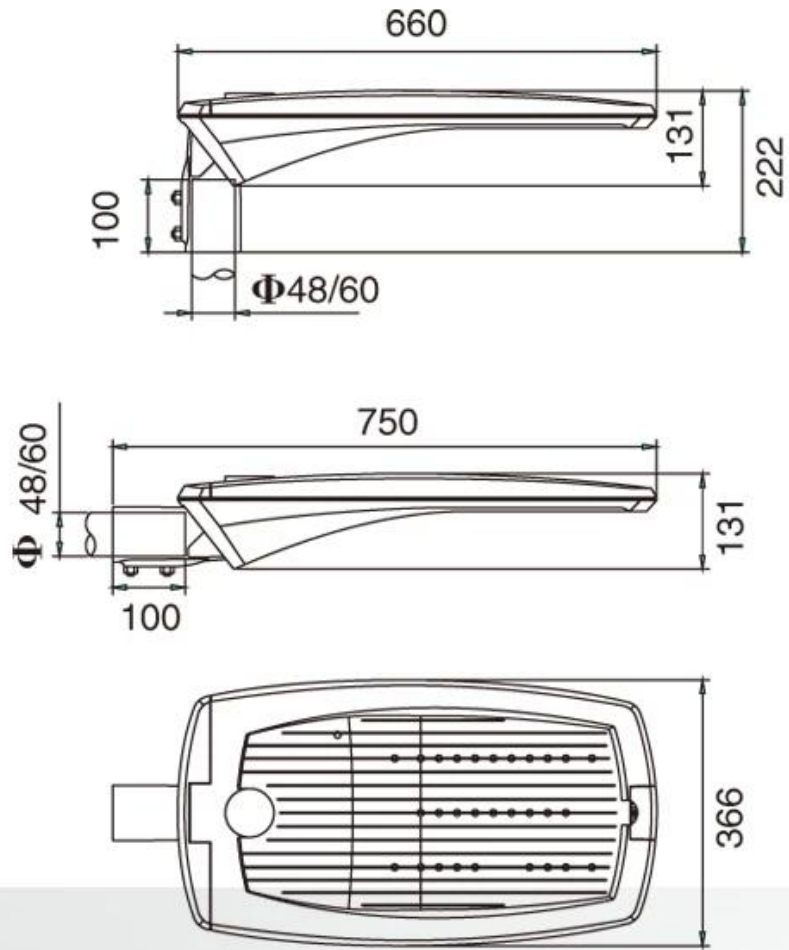
Shanghai, 12 June 2017  
 Number: 1032008 00/002

DEKRA Testing and Certification (Shanghai) Co., Ltd.  
 Notary Public  
 Certification Manager  
 Signature: [Signature]

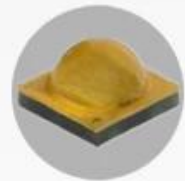



Product Description (continued)

# Product Dimensions(mm)



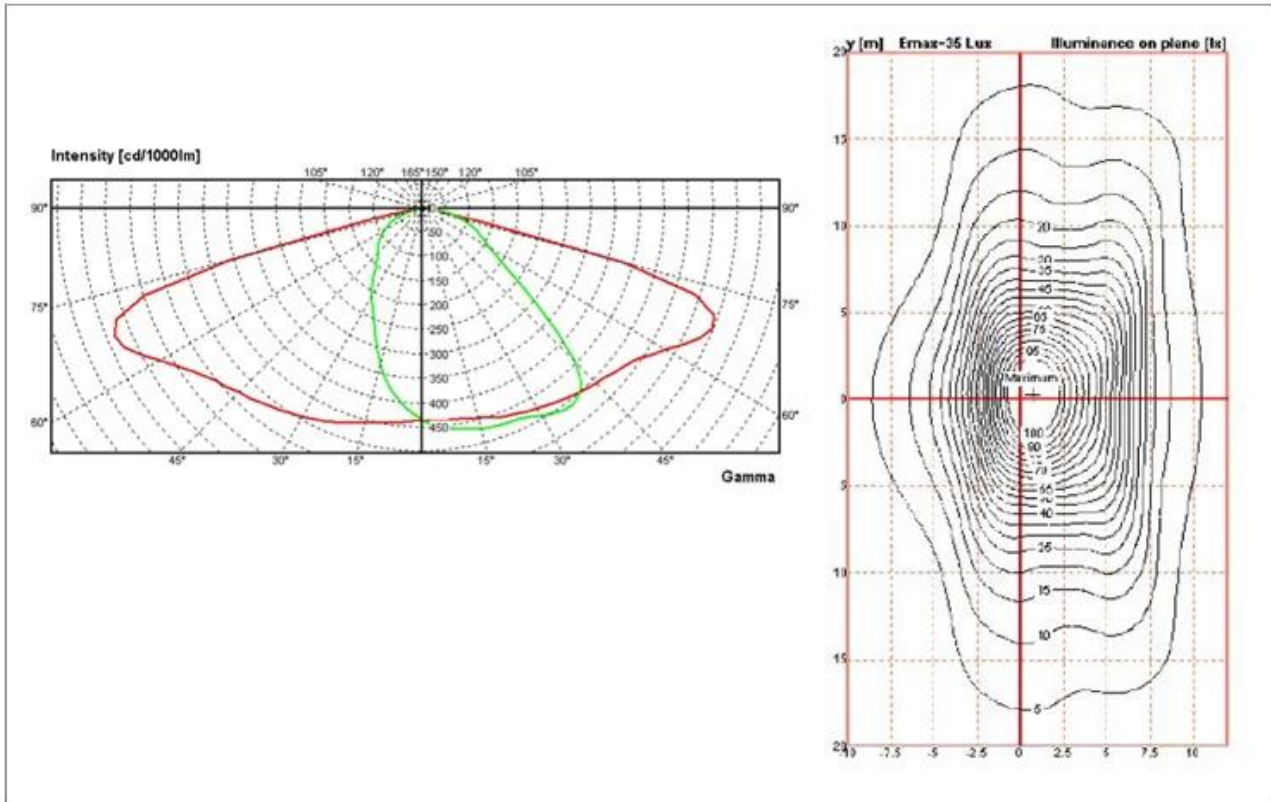
## Internal Structure



CREE XPG3 LED chip



# Polar Diagram



## Configuration Data:

产品型号 Product Code	额定功率 Rated Power (led current 530mA)	初始光通量 Nominal initial FLUX	额定功率 Rated Power (led current 700mA)	初始光通量 Nominal initial FLUX	毛净重 G.W/N.W	包装尺寸 Packing Size
Galaxy max(48)	80W	10304lm	104W	12544lm	9/10(kgs)	770*400*160MM
Galaxy max(64)	105W	13440lm	140W	16800lm	9/10(kgs)	770*400*160MM
Galaxy max(80)	135W	17024lm	180W	21056lm	9/10(kgs)	770*400*160MM

## Embalagem e transporte, termos de comércio:

### Envio

1. **FedEx / DHL / UPS / TNT** para **amostras**, De porta em porta,
2. **Pelo ar ou pelo mar** para **Bens de lote**, para FCL; Aeroporto / porto recebendo,
3. Clientes especificando remetentes de frete ou métodos de envio negociáveis,
4. **Prazo de entrega:** 5.-7 dias para amostras; 15.-30. dias para bens de lote.

### Termos de pagamento

1. Pagamento: **T / t., Western Union, MoneyGram,Paypal.;** **Depósitos de 30%; 70% de balanço** Antes da entrega,
2. **MOQ: 1 pcs,**
3. **Garantia: 5 anos**