

## When the details of our [Bollard luz?](#)

Die-cast aluminum housing, surface treatment power electrostaic cover die  
Tampa da lâmpada de PC para PC UV  
Carcaça lâmpada selada

## When the specifications of our garden Bollard luz?

Classe de isolamento	Fonte de energia	Grau de proteção	Corrnson-proof ability	Ambiente de trabalho	Suporte de lâmpada	poder maximo
Classe I.	220V. 50 $\backslash \backslash \backslash$ / 60 Hz	IP65.	Classe II.	-35. ° C to + 45 ° C	E27.	35w.

## Foto do produto \ 's

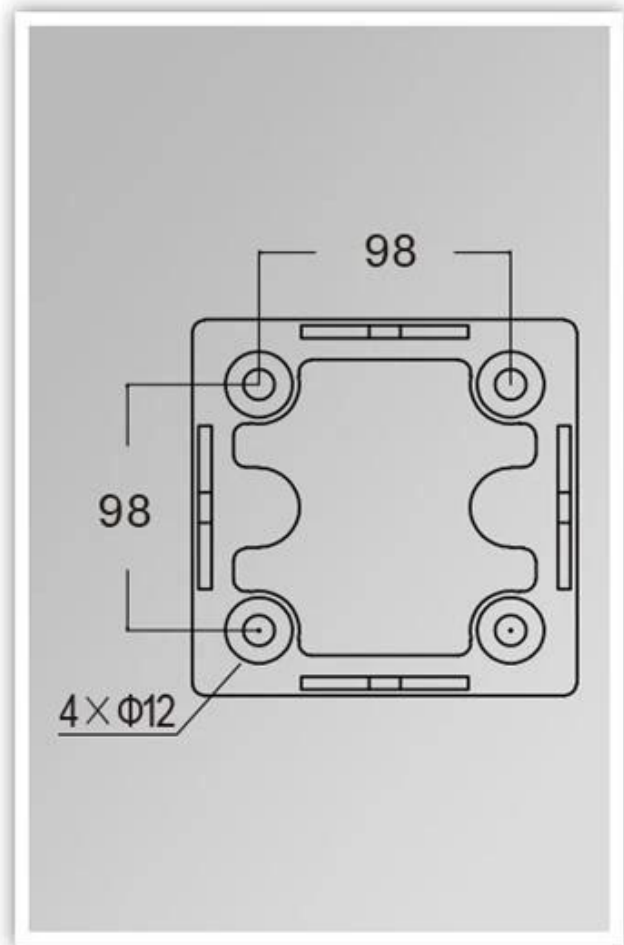
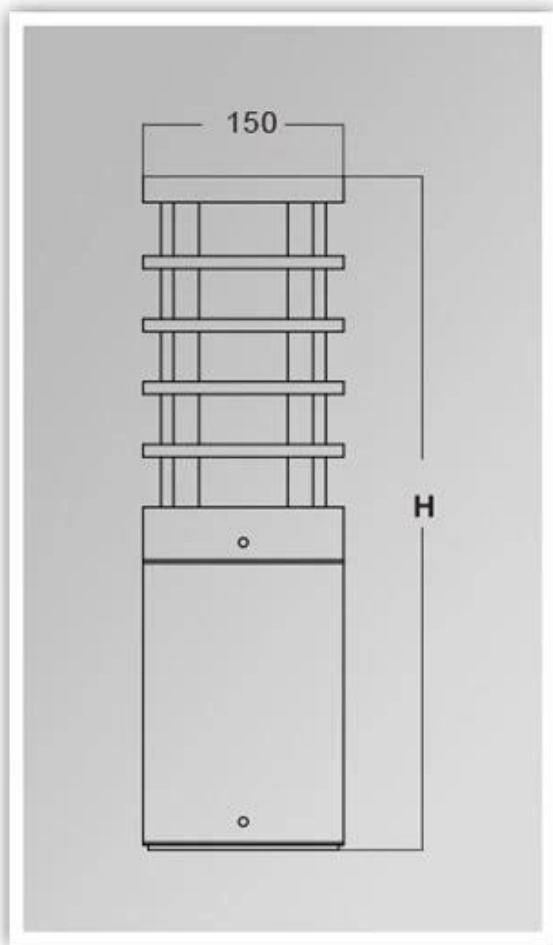
# YMLED-6212



## PRODUCT DETAILS



## PRODUCT DIMENSIONS(MM)



### Postage and packaging, trade terms:

#### Envio

1. **DHL\TNT\FedEx\UPS** \ \ \ para **amostras**, De porta em porta,
2. **By air or sea** para **party goods**, by FCL; Airport \ \ \ Port receiving,
3. give customers freight forwarders or negotiable shipping methods,
4. **Prazo de entrega**: 5.-7 days for the samples; 15.-30. days for batch shipped goods.

#### Termos de pagamento

1. payment: **T \ \ \ T, Western Union, MoneyGram, Paypal.**; **30% deposit**\s; **70% de balanço** before the delivery,
2. **MOQ: 1 pcs,**
3. warranty: 5years

