

Quais são os detalhes do nosso [LED Street. luz?](#)

O corpo inteiro morre alojamento de alumínio fundido

Tecnologia de difusor fotométrico duplo

Copo endurecido branco

Quais são as especificações da nossa rua LED? luz?

Classe de isolamento	Fonte de energia	Corrente led	Fator de potência	Ambiente de trabalho	Vida útil	Cril	Cct.
Classe I.	200-240v. 50 / 60Hz.	700mA.	> 0,95.	-40. ° C a +55 ° C	> 50.000hrs.	RA> 75.	3000k-6500K.

Código do produto	Ymled-6408L (48)	Ymled-6408L (64)	Ymled-6408L (80)
Qty led	48pcs.	64pcs.	80pcs.
Poder avaliado	110W.	150W.	180w.
Eficiência luminosa	> 120lm / w	> 120lm / w	> 120lm / w

Fotos do produto.



YMLED-6408L

RAL 7015



RAL 9005



Power range: 80W-180W

CREE XPG3 LED chip

Philips driver

>120LM/W

Quick and tool free open



IP66

IK08

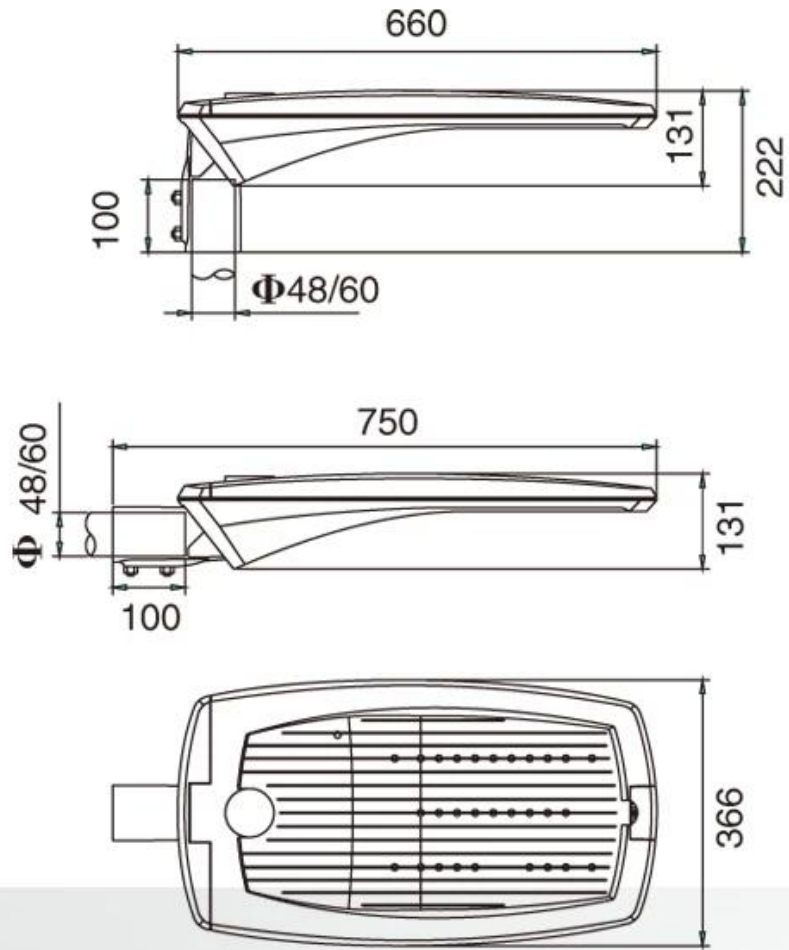


Certificate

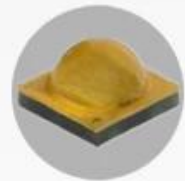


Product Description (continued)

Product Dimensions(mm)



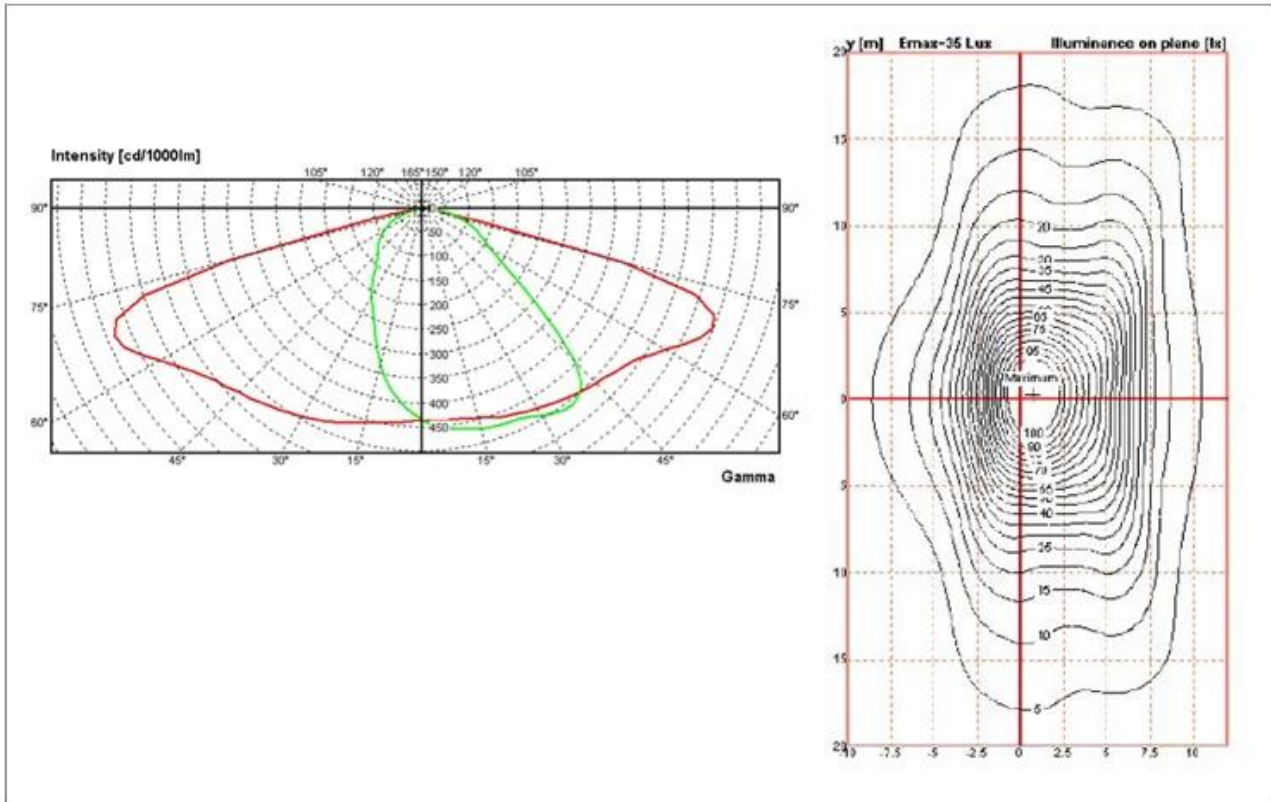
Internal Structure



CREE XPG3 LED chip



Polar Diagram



Configuration Data:

产品型号 Product Code	额定功率 Rated Power (led current 530mA)	初始光通量 Nominal initial FLUX	额定功率 Rated Power (led current 700mA)	初始光通量 Nominal initial FLUX	毛净重 G.W/N.W	包装尺寸 Packing Size
Galaxy max(48)	80W	10304lm	104W	12544lm	9/10(kgs)	770*400*160MM
Galaxy max(64)	105W	13440lm	140W	16800lm	9/10(kgs)	770*400*160MM
Galaxy max(80)	135W	17024lm	180W	21056lm	9/10(kgs)	770*400*160MM



Company Profile

Yuyao Yangming Lighting Co., Ltd. is mainly engaged in the development and production of garden lighting. Founded in 2001, it has developed more than 200 kinds of Garden lights, street lights, lawn lights, footpath lights, light poles, led lights and wall lights.

Now we are creating our own brands and

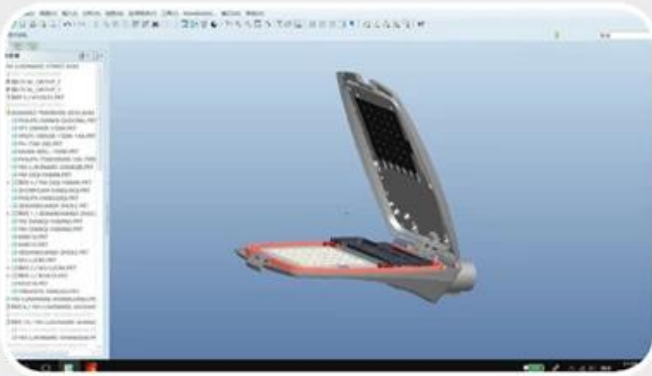


Now we are creating our own brands and developing products suitable for market. Welcome all friends to contact us. We will make contribution to lightening your home.



Testing and Design

Testing and Design



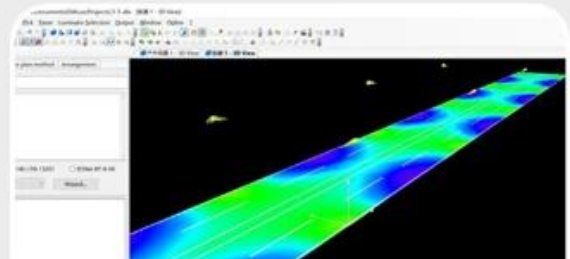
product design



led street lighting aging testing line.



ingress protection (Ip) testing equipment.



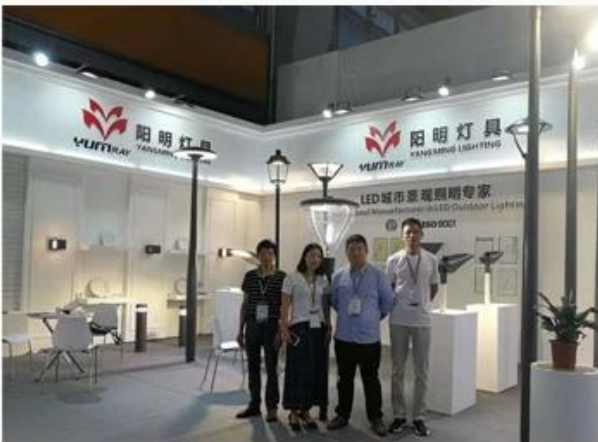


ullbrich sphere for testing luminous flux



road lighting simulation

Exhibittion





Add : Minyin industrial Zone, Liangnong Town,
Yuyao,Zhenjiang,China

Sale: 0574-22222345 / 22719888
0574-22672345(Fax)

Hotline: 0574-62359099
0574-62359077(Fax)

Http://www.ym-lighting.com
www.yyym2001.1688.com
www.yangminglamps.en.alibaba.com

Embalagem e transporte, termos de comércio:

Envio

1. FedEx / DHL / UPS / TNT para **amostras**, De porta em porta,
2. **Pelo ar ou pelo mar** para **Bens de lote**, para FCL; Aeroporto / porto recebendo,
3. Clientes especificando remetentes de frete ou métodos de envio negociáveis,
4. **Prazo de entrega**: 5.-7 dias para amostras; 15.-30. dias para bens de lote.

Termos de pagamento

1. Pagamento: **T / t., Western Union, MoneyGram,Paypal.;** **Depósitos de 30%; 70% de balanço** Antes da entrega,
2. **MOQ: 1 pcs,**
3. **Garantia: 5 anos**