

What is the details of our [LED Garden light](#)?

Die cast aluminum housing,aluminum sheet rotating cover
Double photometric diffuser technology
UV-stop PC lamp cover
Sealed lamp housing

What is the Specifications of our LED Garden light?

Insulation class	Power supply	LED current	Power Factor	Working Ambient	Life span	CRI	CCT
Class I	120-277V 50/60HZ	700mA	>0.95	-40 °C to +55 °C	>50,000hrs	RA>75	3000K-6500K

Product Code	YMLED-6101(16)	YMLED-6101(24)	YMLED-6101(28)
LED Qty	16pcs	24pcs	28pcs
Rated Power	35w	55w	60w
Luminous Flux	2900-3100lm	4150-4400lm	5000-5300lm
G.W/N.W	12.5/11kgs	12.5/11kgs	12.5/11kgs
Packing Size	570x570x570mm	570x570x570mm	570x570x570mm

Product Photos



YMLED6101

RAL 7015



RAL 9005



Power range: 40w-60w

AC120v-277v 50/60Hz

CREE XTE LED chip

INVENTRONICS driver

Die cast aluminum housing



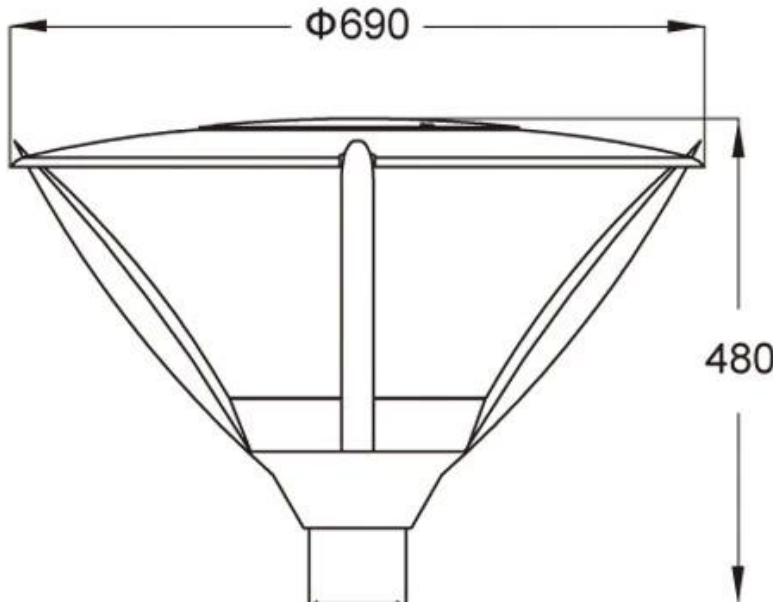
IP65

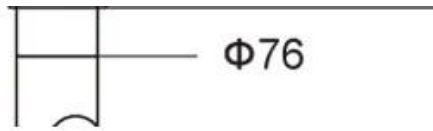
Certificate





Product Dimensions(mm)





Configuration Data:

Internal Structure



Inventronics driver

Die cast aluminum housing

Heat sink

CREE XTE LED chip

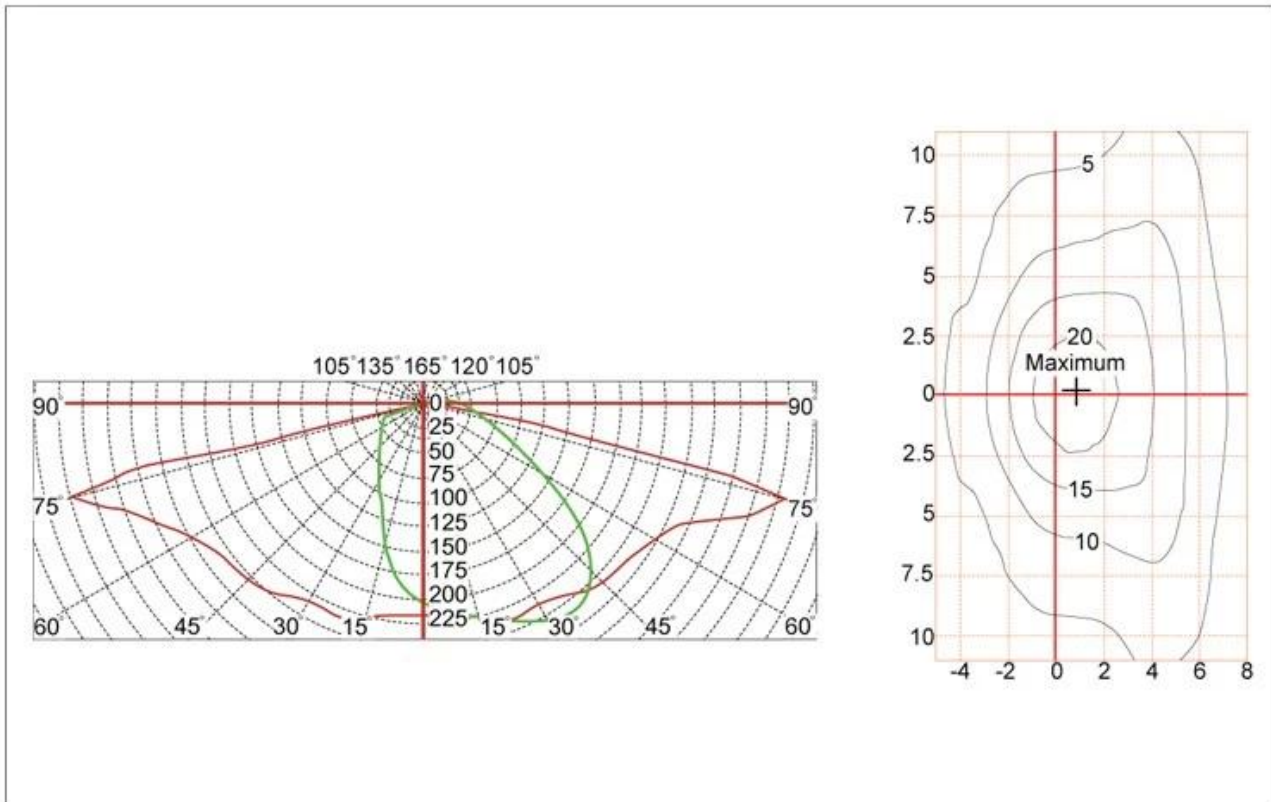


PC diffuser

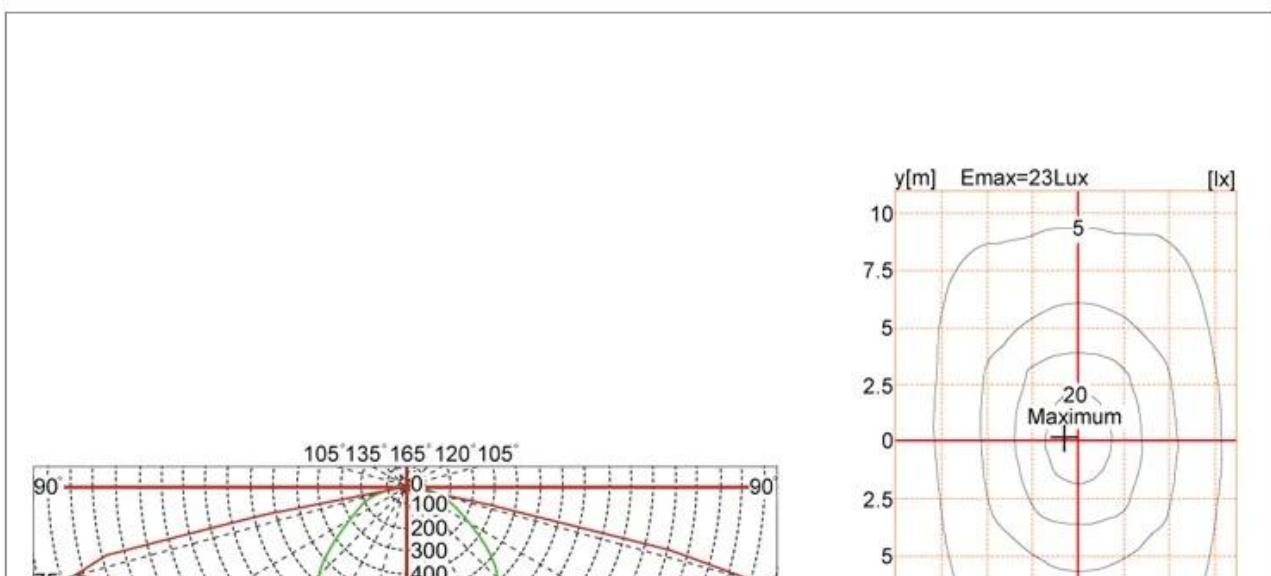


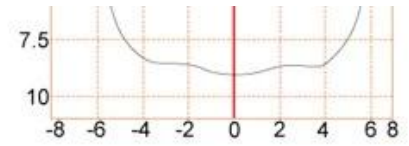
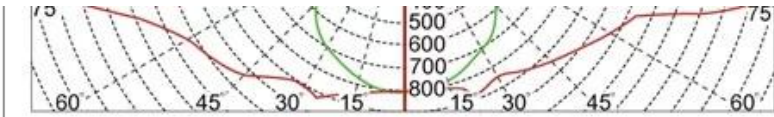
Polar Diagram

Type1

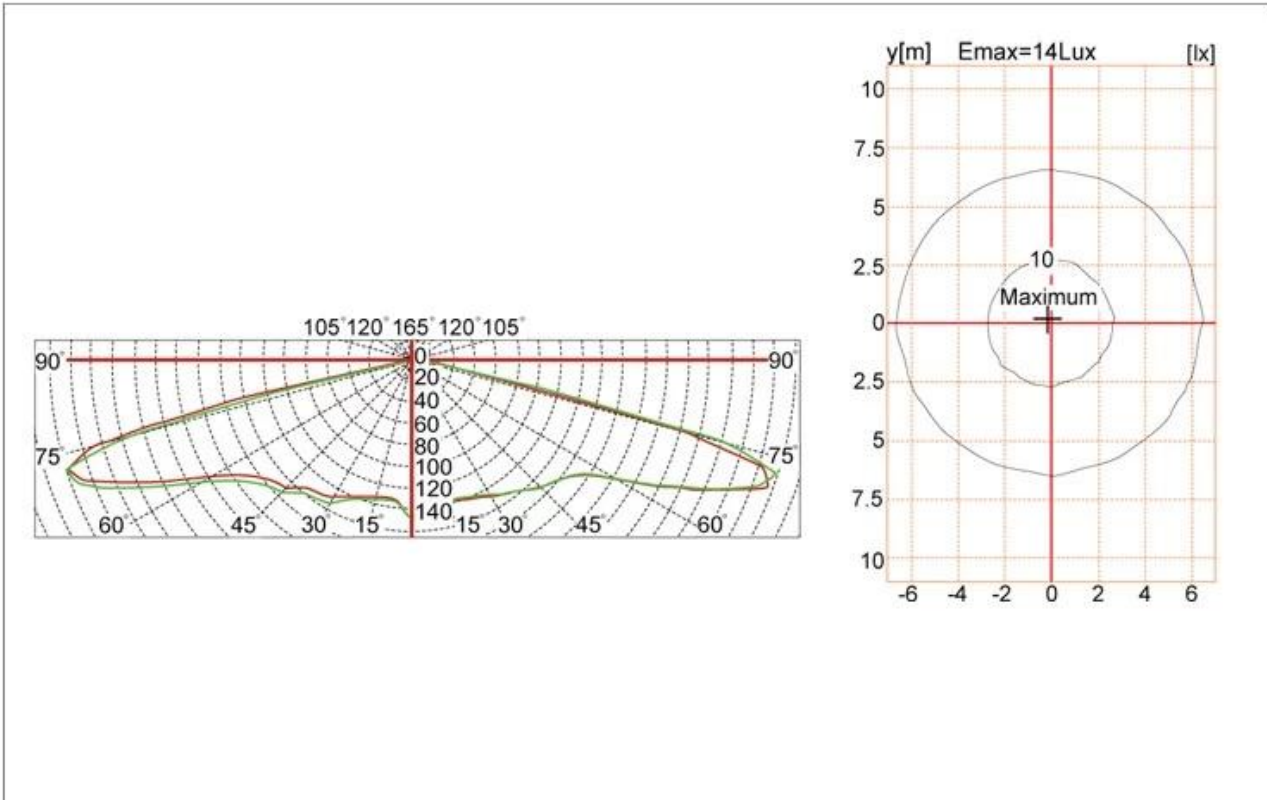


Type2





Type3



Configuration Data:

产品型号 Product Code	额定功率 Rated Power	初始光通量 Luminous Flux			毛净重 G.W/N.W	包装尺寸 Packing Size
		WW	NW	CW		
YMLED-6101(16)	35W	3190	3300	3410	12.5/11(kgs)	570x570x570
YMLED-6101(24)	50W	4565	4675	4840	12.5/11(kgs)	570x570x570
YMLED-6101(28)	60W	5500	5610	5830	12.5/11(kgs)	570x570x570



Company Profile

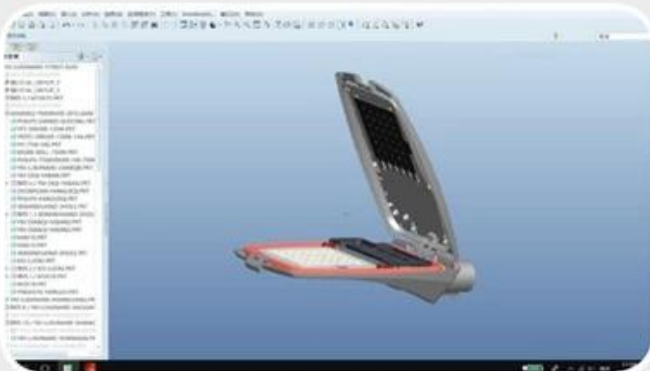
Yuyao Yangming Lighting Co., Ltd. is mainly engaged in the development and production of garden lighting. Founded in 2001, it has developed more than 200 kinds of Garden lights, street lights, lawn lights, footpath lights, light poles, led lights and wall lights.

Now we are creating our own brands and developing products suitable for market. Welcome all friends to contact us. We will make contribution to lightening your home.





Testing and Design



product design





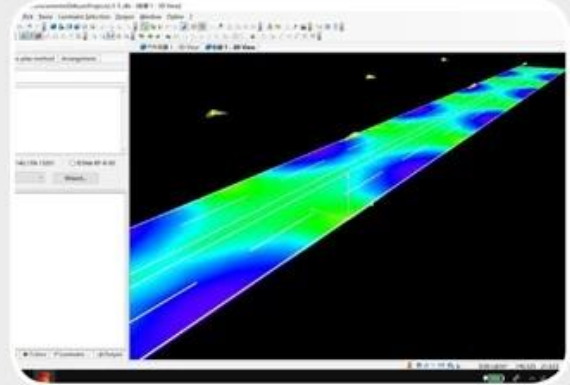
ingress protection (ip) testing equipment.



led street lighting aging testing line.



ullbrich sphere for testing luminous flux



road lighting simulation

Exhibittion





Add : Minyin industrial Zone, Liangnong Town,
Yuyao,Zhenjiang,China

Sale: 0574-22222345 / 22719888

0574-22672345(Fax)

Hotline: 0574-62359099

0574-62359077(Fax)

[Http://www.ym-lighting.com](http://www.ym-lighting.com)

www.yyym2001.1688.com

www.yangminglamps.en.alibaba.com

Packaging & Shipping ,Trade Terms:

Shipping

1. **FedEx/DHL/UPS/TNT** for **samples**, Door-to-Door,
2. **By Air or by Sea** for **batch goods**, for FCL; Airport/ Port receiving,
3. Customers specifying freight forwarders or negotiable shipping methods,
4. **Delivery Time**: 5-7 days for samples; 15-30 days for batch goods.

Payment Terms

1. Payment: **T/T, Western Union, MoneyGram, PayPal; 30% deposits; 70% balance** before delivery,
2. MOQ: **1pcs**,
3. Warranty: 5years