

What is the details of our [LED Garden light](#)?

Die cast aluminum housing,aluminum sheet rotating cover
Double photometric diffuser technology
Supper white toughened glass
Sealed lamp housing

What is the Specifications of our LED Garden light?

Insulation class	Power supply	LED current	Power Factor	Working Ambient	Life span	CRI	CCT
Class I	120-277V 50/60HZ	700mA	>0.95	-40 °C to +55 °C	>50,000hrs	RA>75	3000K-6500K

Product Code	YMLED-6115(16)	YMLED-6115(24)	YMLED-6115(28)
LED Qty	16pcs	24pcs	28pcs
Rated Power	35w	50w	60w
Luminous Flux	3200-3430lm	4600-4900lm	5530-5870lm
G.W/N.W	13.5/11.5kgs	13.5/11.5kgs	13.5/11.5kgs
Packing Size	780x700x230mm	780x700x230mm	780x700x230mm

Product Photos



YMLED-6115

RAL 7015



RAL 9005



Product description:

whole body Die cast aluminum housing
Double photometric diffuser technology
Supper white toughened glass
Sealed lamp housing

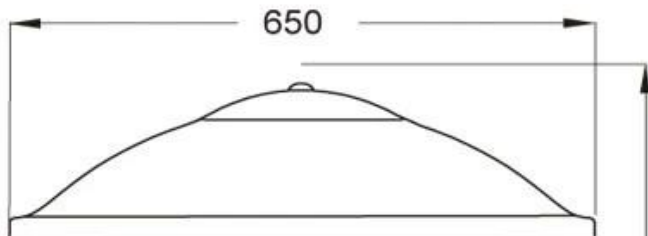


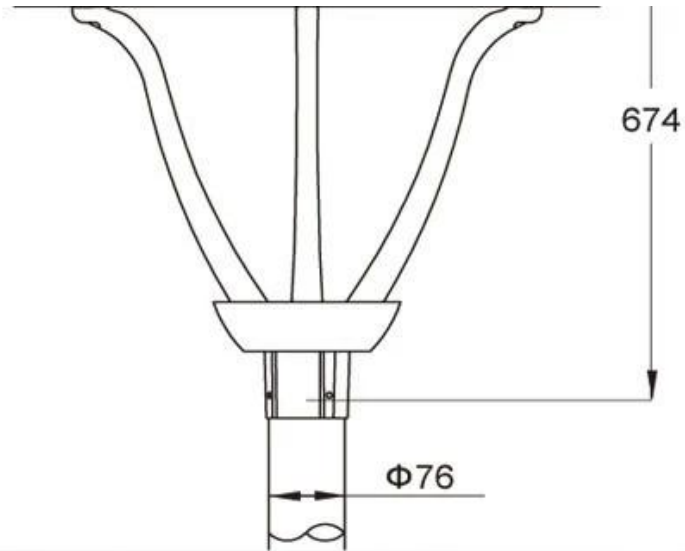
IP65

Certificate

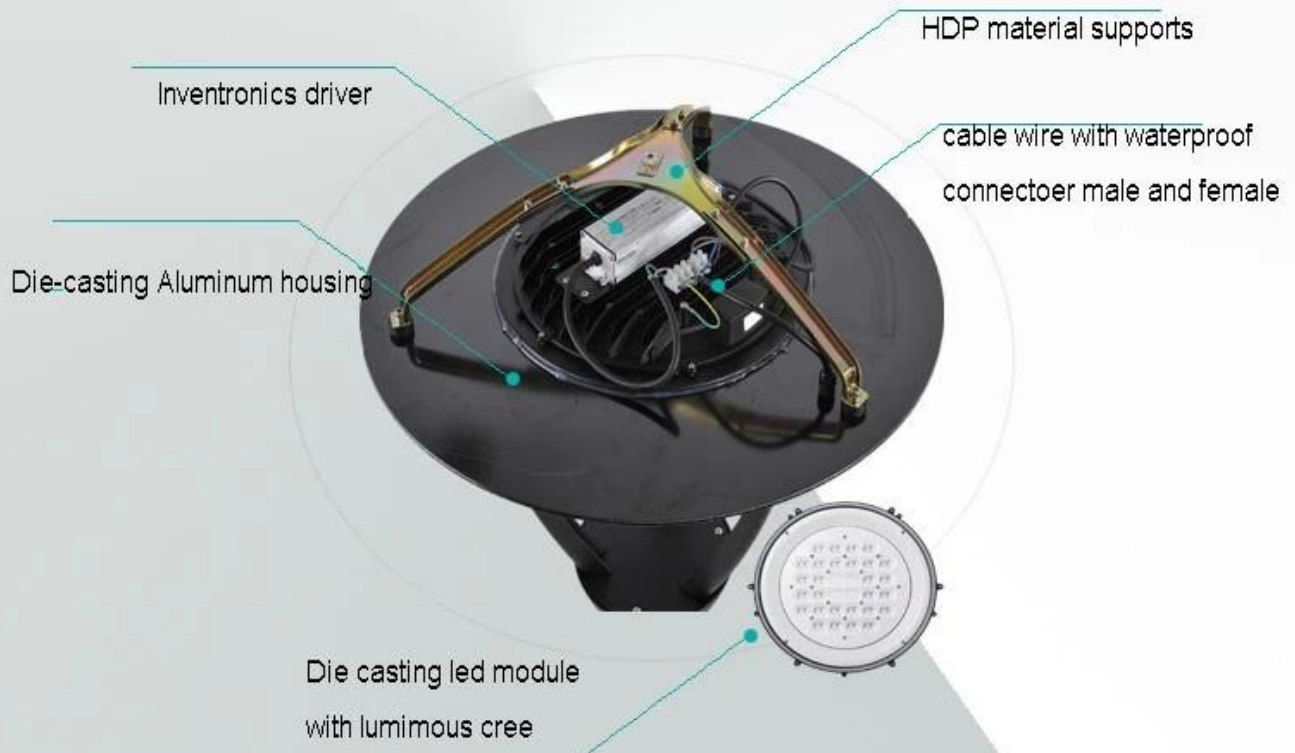


Product Dimensions(mm)



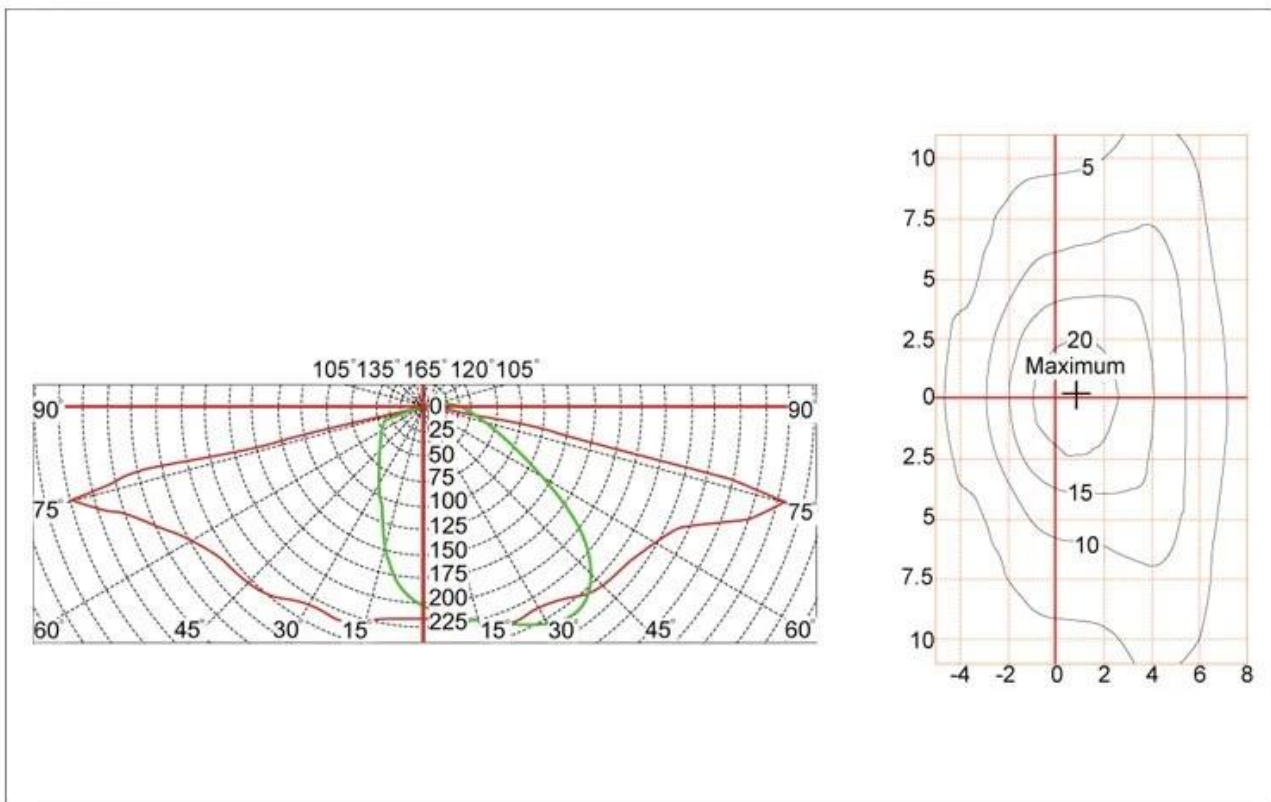


Internal Structure



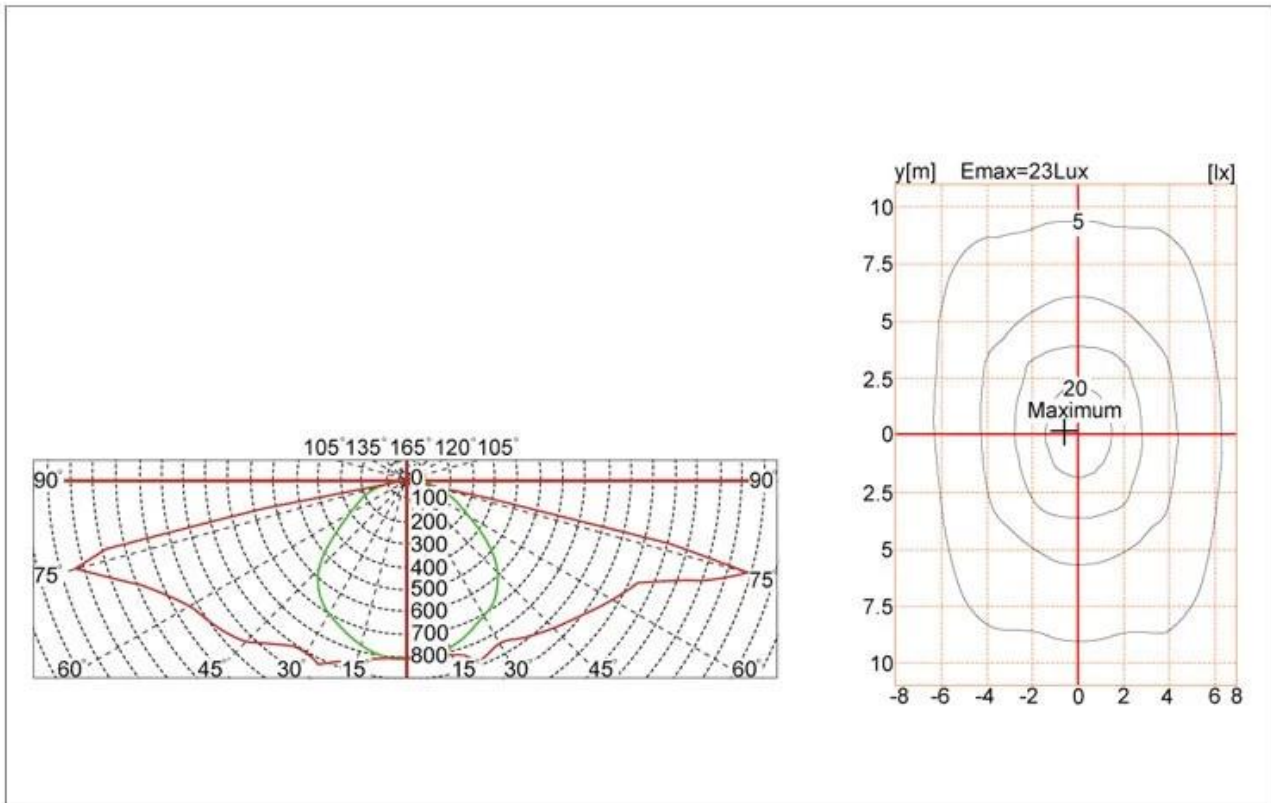
Polar Diagram

Type1

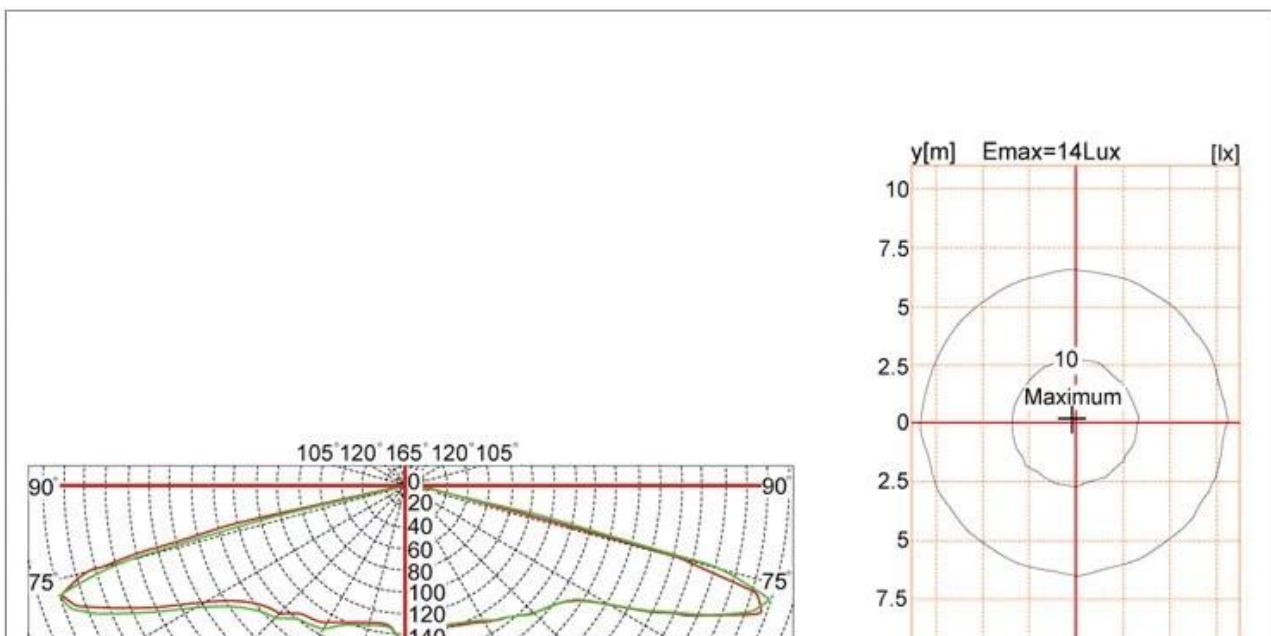


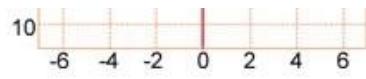
Type 2

type2



Type3





Configuration Data:

产品型号 Product Code	额定功率 Rated Power	初始光通量 Luminous Flux			毛净重 G.W/N.W	包装尺寸 Packing Size
		WW	NW	CW		
YMLED-6115(16)	35W	3168	3292	3395	13.5/11.5(kgs)	780x700x230mm
YMLED-6115(24)	50W	4554	4702	4851	13.5/11.5(kgs)	780x700x230mm
YMLED-6115(28)	60W	5474	5643	5811	13.5/11.5(kgs)	780x700x230mm



Packaging & Shipping ,Trade Terms:

Shipping

1. **FedEx/DHL/UPS/TNT** for **samples**, Door-to-Door,
2. **By Air or by Sea** for **batch goods**, for FCL; Airport/ Port receiving,
3. Customers specifying freight forwarders or negotiable shipping methods,
4. **Delivery Time:** 5-7 days for samples; 15-30 days for batch goods.

Payment Terms

1. Payment: **T/T, Western Union, MoneyGram, PayPal; 30% deposits; 70% balance** before delivery,
2. MOQ: **1pcs,**
3. Warranty: 5years