

What is the details of our LED Garden light?

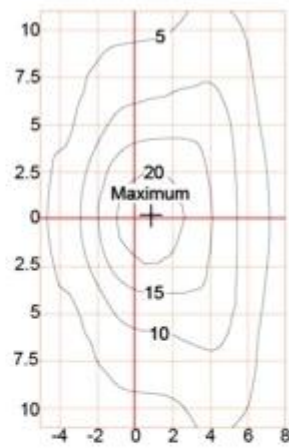
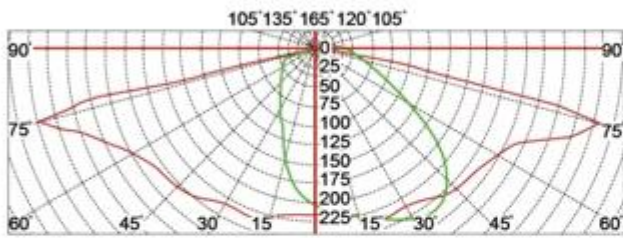
whole body Die cast aluminum housing
Double photometric diffuser technology
Supper white toughened glass
Sealed lamp housing

Configuration Data:

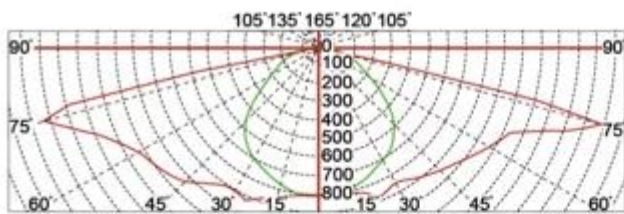
Product Code	Rated Power	LED Qty	Luminous Flux	G.W/N.W	Packing Size	Loading Qty
YMLED-6114(15)	35W	15	4200	8.5/7.5(kgs)	490*490*650mm	132PCS/20'GP
YMLED-6114(20)	45W	20	5400	8.5/7.5(kgs)	490*490*650mm	384PCS/40'HQ
YMLED-6114(25)	55W	25	6600	8.5/7.5(kgs)	490*490*650mm	

Polar Diagram:

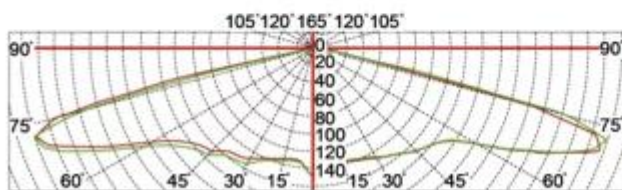
Type1



Type2



Type3





YMLED-6114

RAL 7015



RAL 9005



Product description:

- whole body Die cast aluminum housing
- Double photometric diffuser technology
- Supper white toughened glass
- Sealed lamp housing

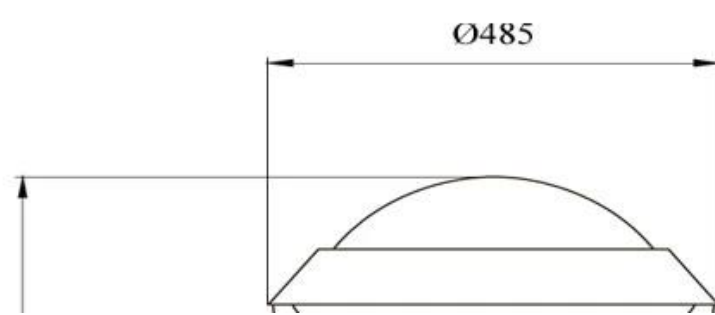


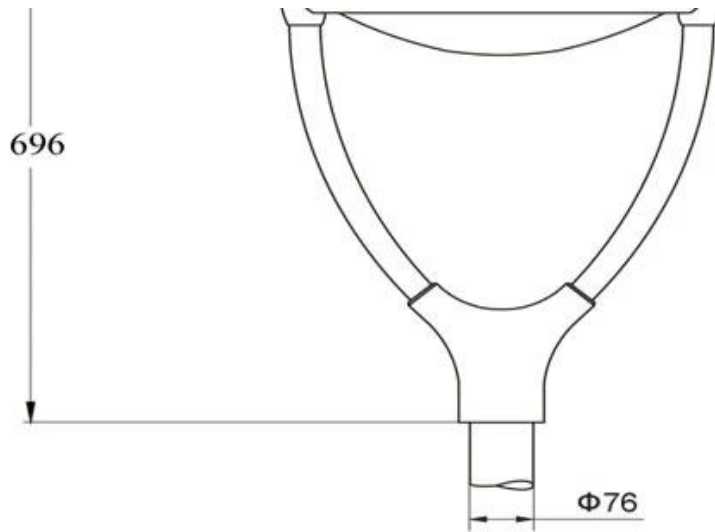
IP65

Certificate



Product Dimensions(mm)





Internal Structure

