

## What is the details of our [LED Street light](#)?

**Whole body die cast aluminum housing**  
**Double photometric diffuser technology**  
**Supper white toughened glass**

## What is the Specifications of our LED Street light?

Insulation class	Power supply	LED current	Power Factor	Working Ambient	Life span	CRI	CCT
Class I	220-240V 50/60HZ	700mA	>0.95	-40 °C to +55 °C	>50,000hrs	RA>70	3000K-6500K

## Product Photos



# YMLED-6408L

RAL 7015



RAL 9005



**Power range: 80W-180W**

**CREE XPG3 LED chip**

**Philips driver**

**>120LM/W**

**Quick and tool free open**



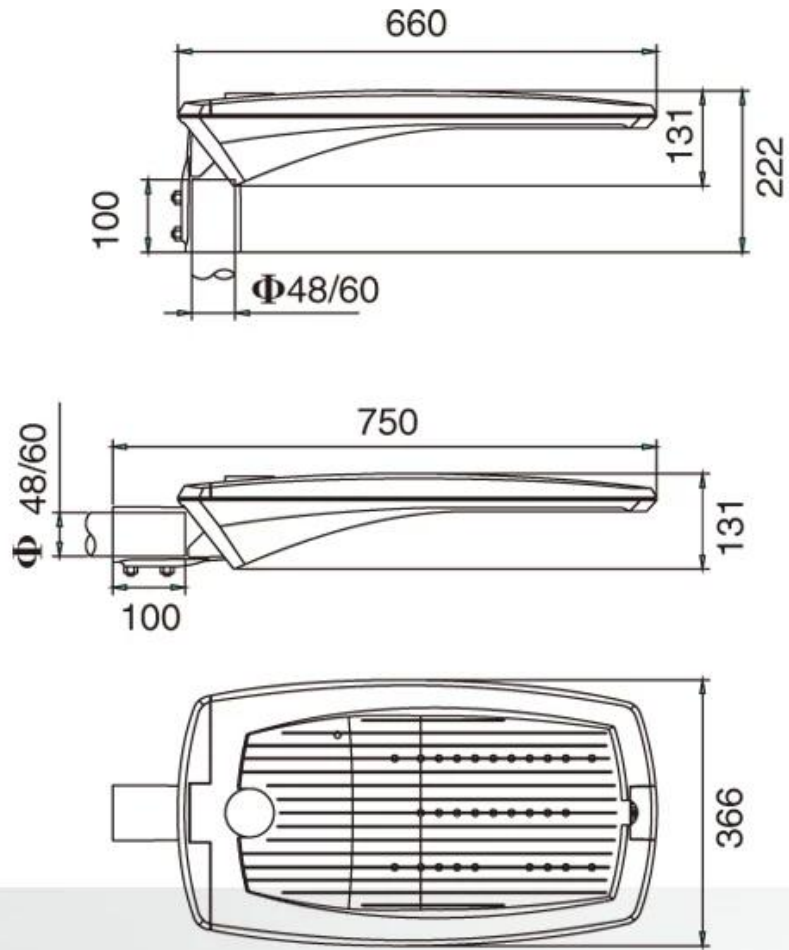
IP66

IK08

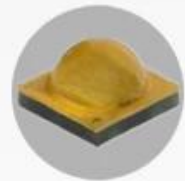




# Product Dimensions(mm)



## Internal Structure

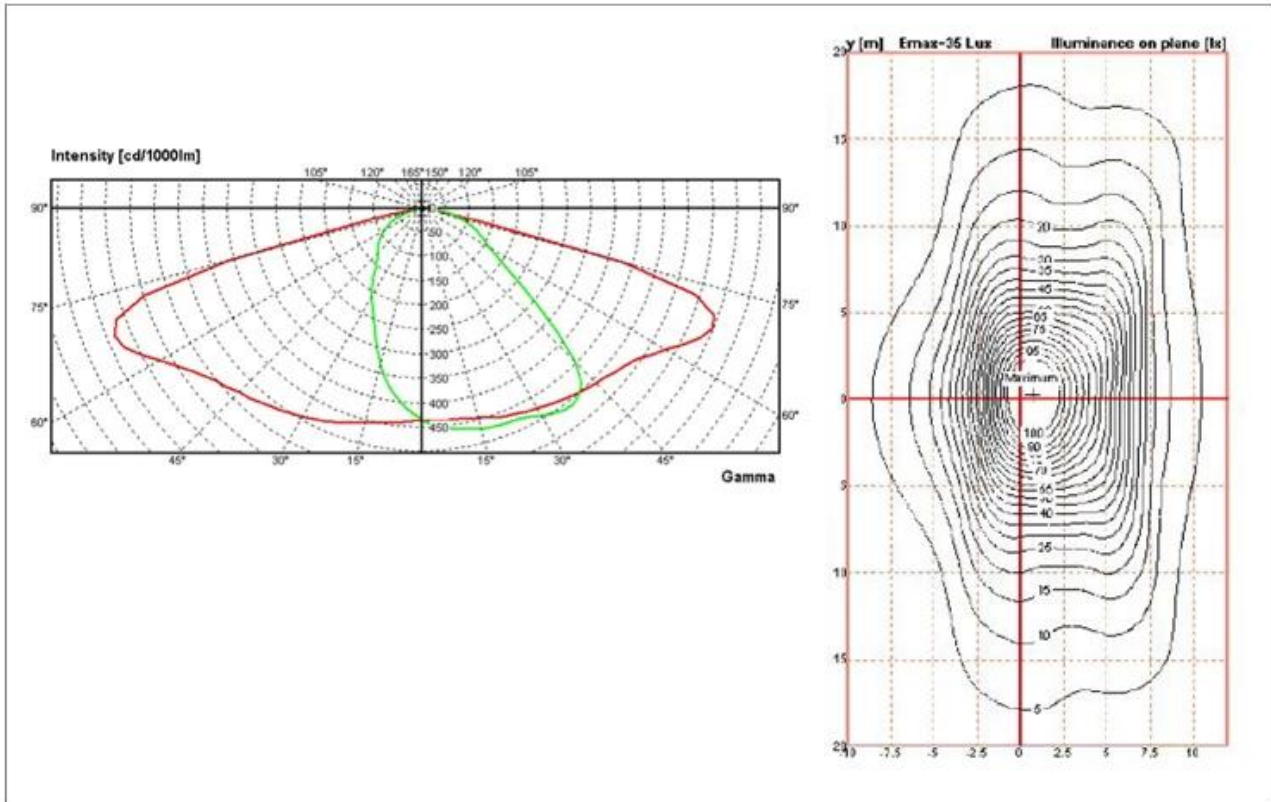


CREE XPG3 LED chip



# Polar Diagram





## Configuration Data:

产品型号 Product Code	额定功率 Rated Power (led current 530mA)	初始光通量 Nominal initial FLUX	额定功率 Rated Power (led current 700mA)	初始光通量 Nominal initial FLUX	毛净重 G.W/N.W	包装尺寸 Packing Size
Galaxy max(48)	80W	10304lm	104W	12544lm	9/10(kgs)	770*400*160MM
Galaxy max(64)	105W	13440lm	140W	16800lm	9/10(kgs)	770*400*160MM
Galaxy max(80)	135W	17024lm	180W	21056lm	9/10(kgs)	770*400*160MM

## Packaging & Shipping ,Trade Terms:

### Shipping

1. FedEx/DHL/UPS/TNT for **samples**, Door-to-Door,
2. **By Air or by Sea** for **batch goods**, for FCL; Airport/ Port receiving,
3. Customers specifying freight forwarders or negotiable shipping methods,
4. **Delivery Time:** 5-7 days for samples; 15-30 days for batch goods.

### Payment Terms

1. Payment: **T/T, Western Union, MoneyGram, PayPal; 30% deposits; 70% balance** before delivery,
2. MOQ: **1pcs**,
3. Warranty: 5years