

What is the details of our [LED Bollard light](#)?

Die cast aluminum housing,surface treatment for electrostaic power coating

UV-stop PC lamp cover

Sealed lamp housing

What is the Specifications of our LED Bollard light?

Insulation class	Power supply	LED current	Power Factor	Working Ambient	Life span	CRI	CCT
Class I	120-277V 50/60HZ	700mA	>0.95	-35 °C to +45 °C	>30,000hrs	RA>75	3000K-6500K

Product Code	YMLED-6219
LED Qty	10pcs
Rated Power	10w
Luminous Flux	500-600lm
G.W/N.W	5/4.5kgs
Packing Size	250x250x830mm

Product Photos

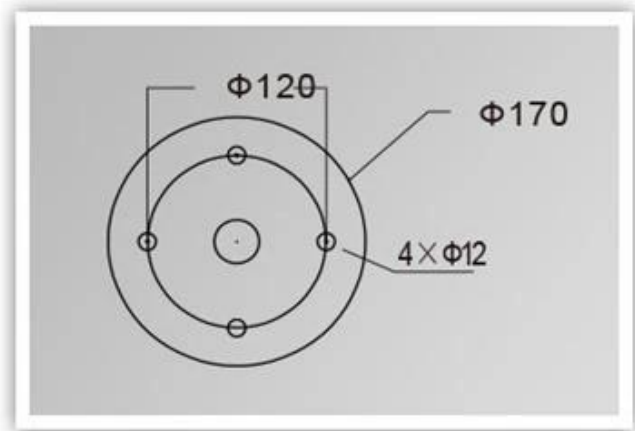
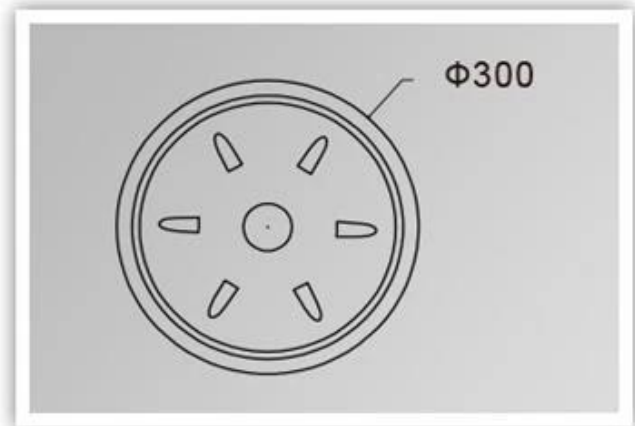
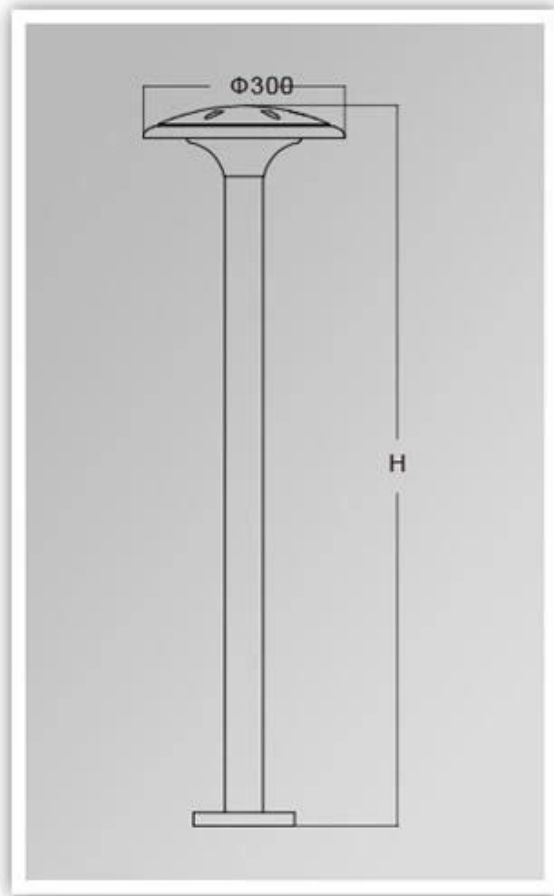
YMLED-6219



PRODUCT DETAILS



PRODUCT DIMENSIONS(MM)



Packaging & Shipping ,Trade Terms:

Shipping

1. **FedEx/DHL/UPS/TNT** for **samples**, Door-to-Door,
2. **By Air or by Sea** for **batch goods**, for FCL; Airport/ Port receiving,
3. Customers specifying freight forwarders or negotiable shipping methods,
4. **Delivery Time:** 5-7 days for samples; 15-30 days for batch goods.

Payment Terms

1. Payment: **T/T, Western Union, MoneyGram, PayPal; 30% deposits; 70% balance** before delivery,
2. MOQ: **1pcs**,
3. Warranty: 5years