

## Wat is de details van onze [LED-straat licht?](#)

**Gehele lichaamsvormige aluminium behuizing**

**Dubbele fotometrische diffusertechnologie**

**Avondmaal wit gehard glas**

## Wat is de specificaties van onze LED-straat licht?

Isolatieklasse	Stroomvoorziening	LED-stroom	Krachtfactor	Werkende omgeving	Levensduur	Cri	CCT
Klasse i	200-240V 50 / 60Hz	700mA	> 0.95	-40 ° C tot +55 ° C	> 50.000 uur	RA> 75	3000K-6500K

Productcode	Ymled-6408L (48)	Ymled-6408L (64)	Ymled-6408L (80)
LED Aantal	48 stks	64st	80pcs
Rated power	110w	150w	180w
Lichtgevende efficiëntie	> 120lm / w	> 120lm / w	> 120lm / w

## Productfoto's



# YMLED-6408L

RAL 7015



RAL 9005



**Power range: 80W-180W**

**CREE XPG3 LED chip**

**Philips driver**

**>120LM/W**

**Quick and tool free open**



IP66

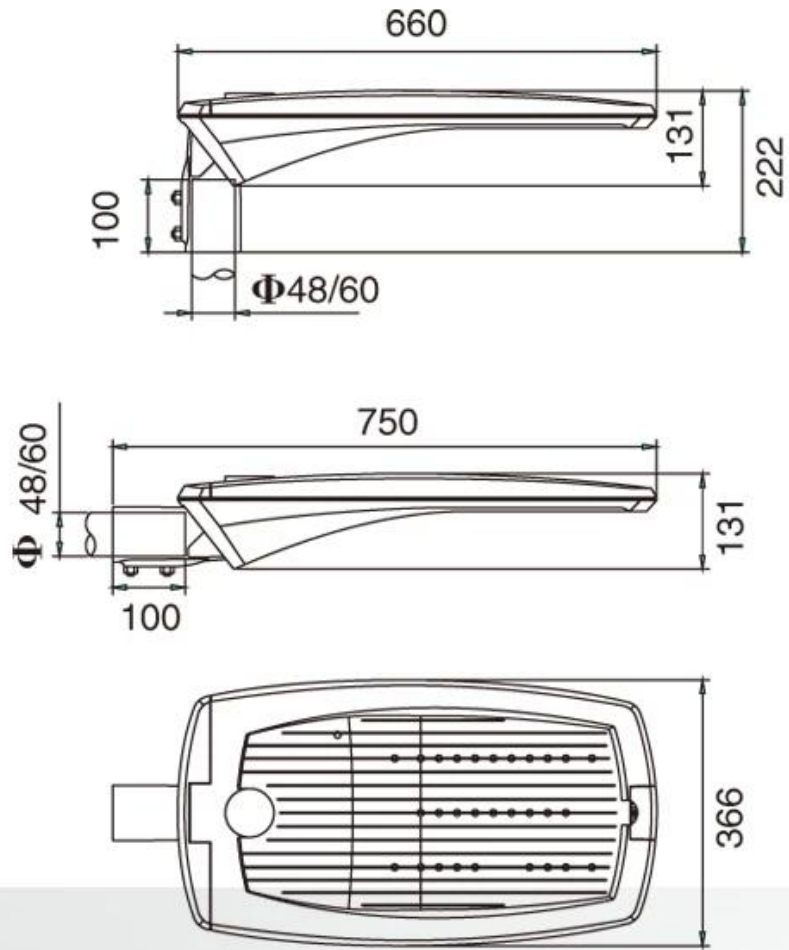
IK08



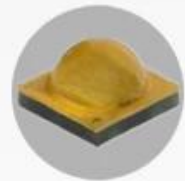
# Certificate



# Product Dimensions(mm)



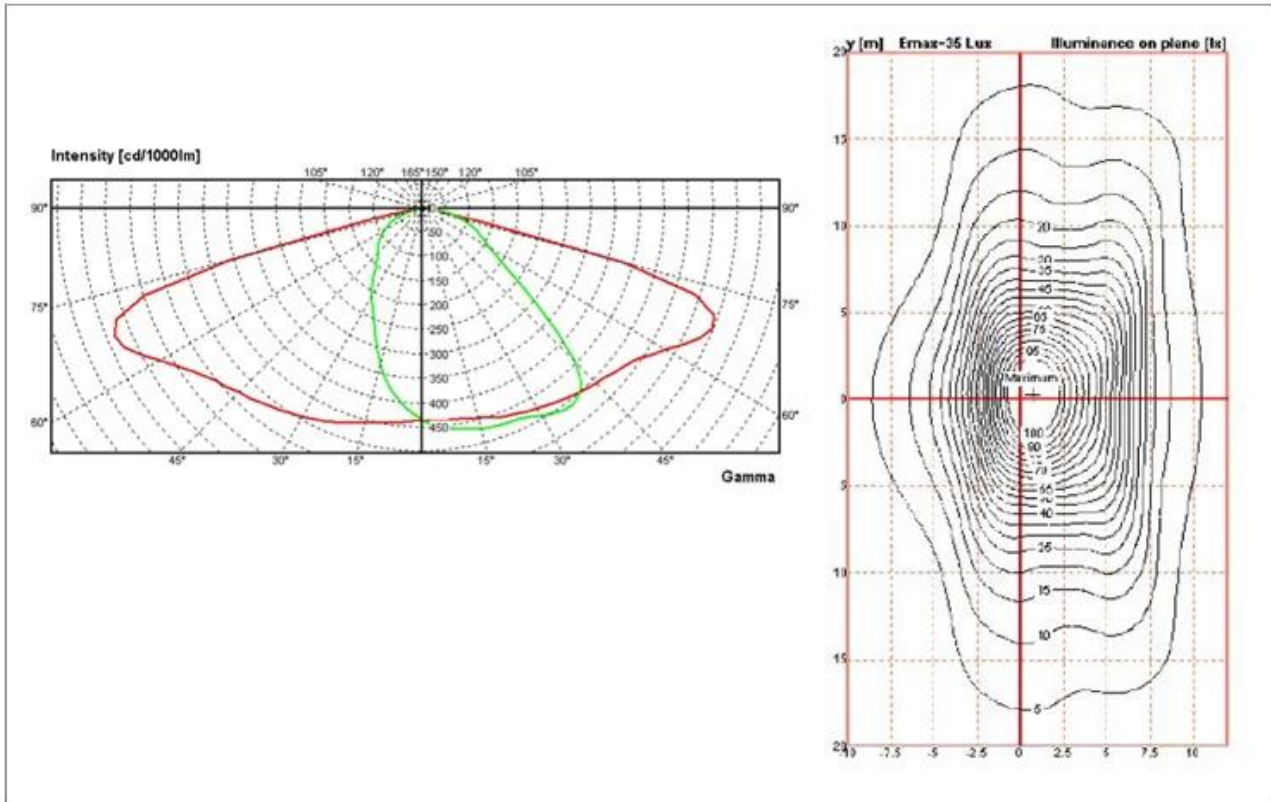
## Internal Structure



CREE XPG3 LED chip



# Polar Diagram



## Configuration Data:

产品型号 Product Code	额定功率 Rated Power (led current 530mA)	初始光通量 Nominal initial FLUX	额定功率 Rated Power (led current 700mA)	初始光通量 Nominal initial FLUX	毛净重 G.W/N.W	包装尺寸 Packing Size
Galaxy max(48)	80W	10304lm	104W	12544lm	9/10(kgs)	770*400*160MM
Galaxy max(64)	105W	13440lm	140W	16800lm	9/10(kgs)	770*400*160MM
Galaxy max(80)	135W	17024lm	180W	21056lm	9/10(kgs)	770*400*160MM



# Company Profile

Yuyao Yangming Lighting Co., Ltd. is mainly engaged in the development and production of garden lighting. Founded in 2001, it has developed more than 200 kinds of Garden lights, street lights, lawn lights, footpath lights, light poles, led lights and wall lights.

Now we are creating our own brands and



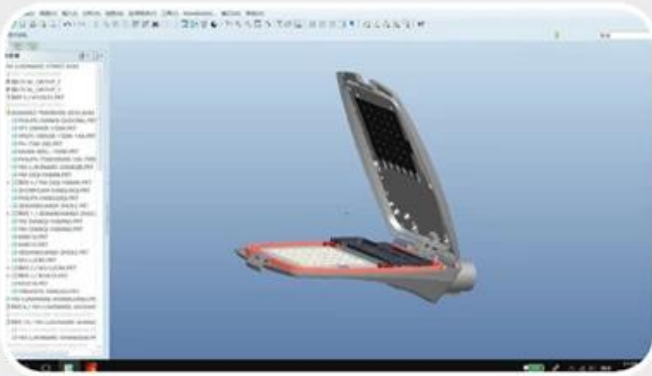
Now we are creating our own brands and developing products suitable for market. Welcome all friends to contact us. We will make contribution to lightening your home.



## Testing and Design



# Testing and Design



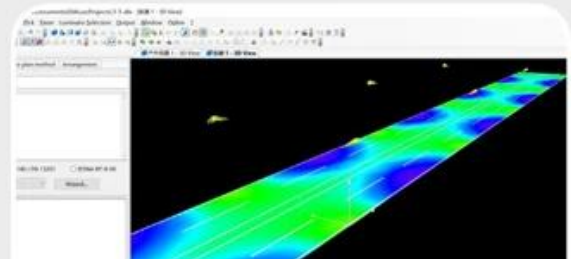
product design



led street lighting aging testing line.



ingress protection (Ip) testing equipment.



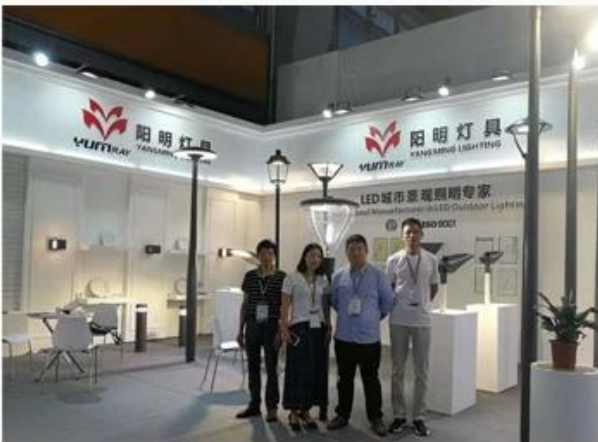


ullbrich sphere for testing luminous flux



road lighting simulation

# Exhibittion





Add : Minyin industrial Zone, Liangnong Town,  
Yuyao,Zhenjiang,China

Sale: 0574-22222345 / 22719888

0574-22672345(Fax)

Hotline: 0574-62359099

0574-62359077(Fax)

Http://www.ym-lighting.com

www.yyym2001.1688.com

www.yangminglamps.en.alibaba.com

## Verpakking en verzending, Handelsvoorwaarden:

### Verzending

1. FedEx / DHL / UPS / TNT voor **monsters**, Deur tot deur,
2. **Door lucht of over zee** voor **batchartikelen**, voor FCL; Luchthaven / poort ontvangen,
3. Klanten specificeren expediteurs of verhandelbare verzendmethoden,
4. **Tijd om te bezorgen**: 5-7 dagen voor monsters; 15-30 dagen voor batchartikelen.

### Betaalvoorwaarden

1. Betaling: **T / t, Western Union, Geldgram, Paypal; 30% stortingen; 70% saldo** voor bezorging,
2. **MOQ: 1 stuk,**
3. **Garantie: 5 jaar**