

What is the details of our LED Garden light?

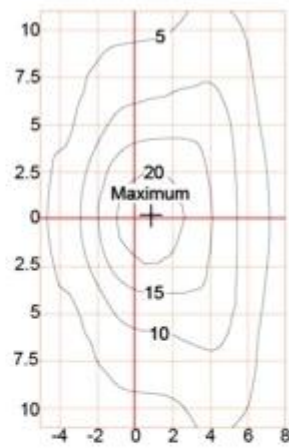
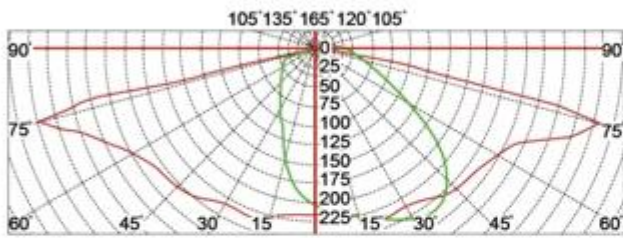
Spinning aluminum housing
Sealed lamp housing
Double photometric diffuser technology
UV-stop PC lamp cover

Configuration Data:

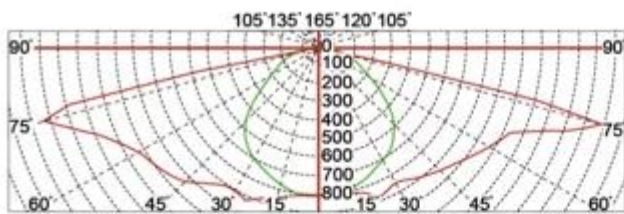
Product Code	Rated Power	LED Qty	Luminous Flux	G.W/N.W	Packing Size	Loading Qty
YMLED-6141(16)	30W	16	3450	5/4(kgs)	415*415*530mm	260PCS/20'GP
YMLED-6141(20)	55W	24	6325	5/4(kgs)	415*415*530mm	700PCS/40'HQ

Polar Diagram:

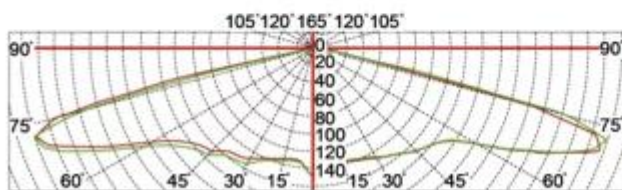
Type1



Type2




Type3





YMLED-6141

RAL 7015 

RAL 9005 



Product description:
 whole body Die cast aluminum housing
 Double photometric diffuser technology
 Supper white toughened glass
 Sealed lamp housing

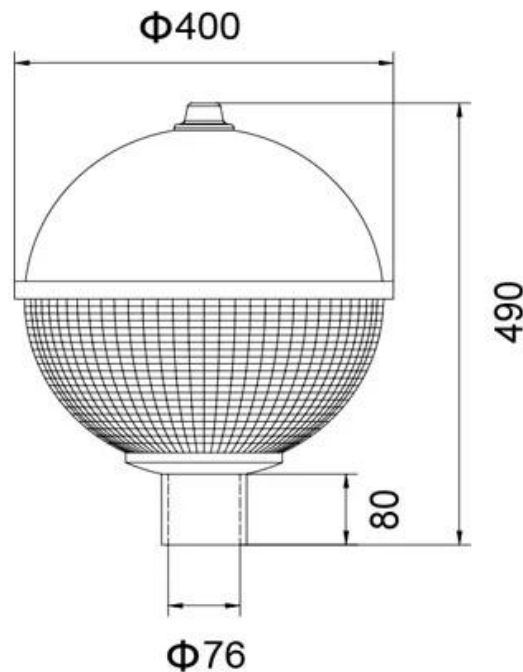


Certificate





Product Dimensions(mm)



Internal Structure

