

□□□□□□□□□□□□□□□□□□□□? □□□□□□□□~□□□□

□□ □□□ □□□□ □□□□, □□□□ □□□□ □□ □□
UV-Stop PC □□ □□
□□ □ □□ □□□

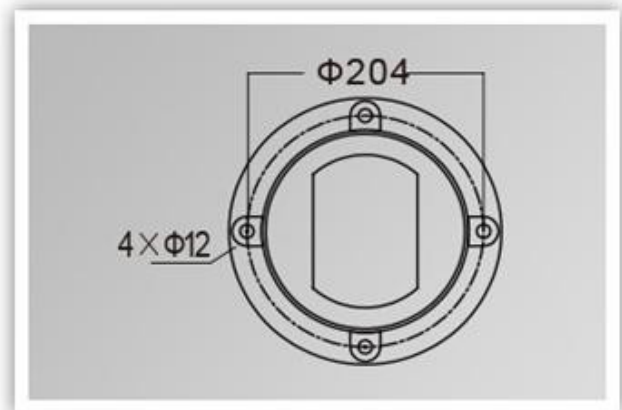
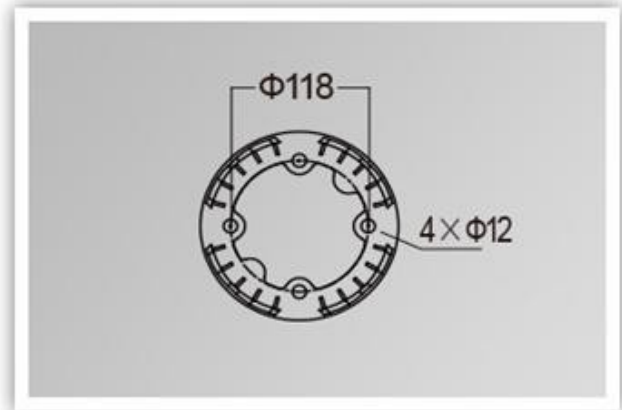
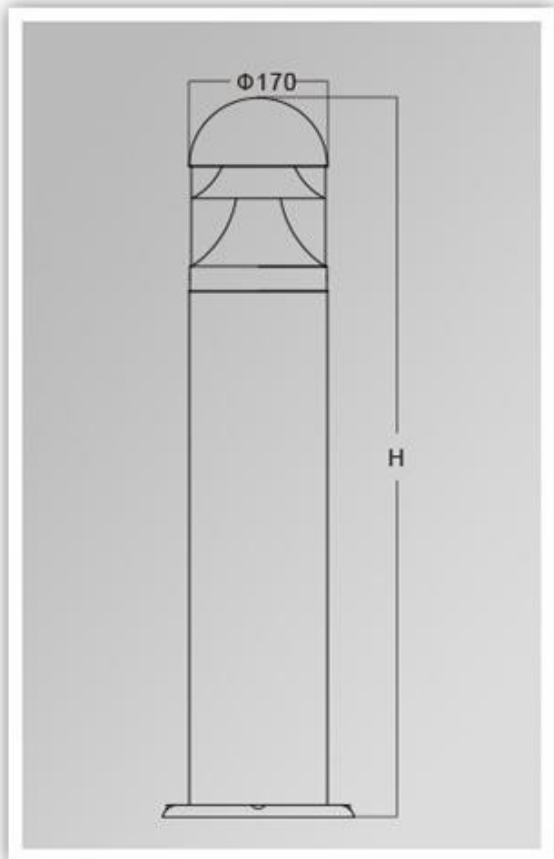
□□□□ □□□□ □□□□□□□□□□? □□□□ □□?

□□ □□	□□ □□ □□	□□ □□	□□ □□ □□	□□□□□ □□	□□ □□	□□ □□
□□□ I.	220V. 50 / 60hz.	IP65.	□□□ II.	-35. ° C ~ +45. ° C.	E27.	35W.

□□□□□



PRODUCT DIMENSIONS(MM)



PRODUCT DETAILS



YM-6201A



YM-6201B



YM-6201C

ORDERING INFORMATION :

Unit

1. FedEx / DHL / UPS / TNT. ~Unit, Unit - Unit,
2. Unit Unit Unit ~Unit Unit Unit, fcl; Unit / Unit Unit,
3. Unit Unit Unit Unit Unit Unit Unit Unit Unit Unit,
4. Unit Unit: 5.~Unit -7 Unit; 15.-30. Unit Unit Unit.

Unit Unit

1. Unit : T / T., Unit Unit, Unit Unit... Unit 30 % Unit... Unit 70 % Unit Unit Unit,
2. MOQ : 1pcs,
3. Unit : 5years.