

## What is the details of our LED [Wall light](#)?

Die cast aluminum housing,surface treatment for electrostaic power coating

UV-stop PC lamp cover

Sealed lamp housing

## What is the Specifications of our LED Wall light?

Insulation class	Power supply	LED current	Power Factor	Working Ambient	Life span	CRI	CCT
Class I	120-277V 50/60HZ	700mA	>0.95	-35 °C to +45 °C	>30,000hrs	RA>75	3000K-6500K

Product Code	YMLED-6608
LED Qty	4pcs
Rated Power	8w
Luminous Flux	500-600lm
G.W/N.W	3/2.5kgs
Packing Size	250x250x400mm

## Product Photos

# YMLED-6608

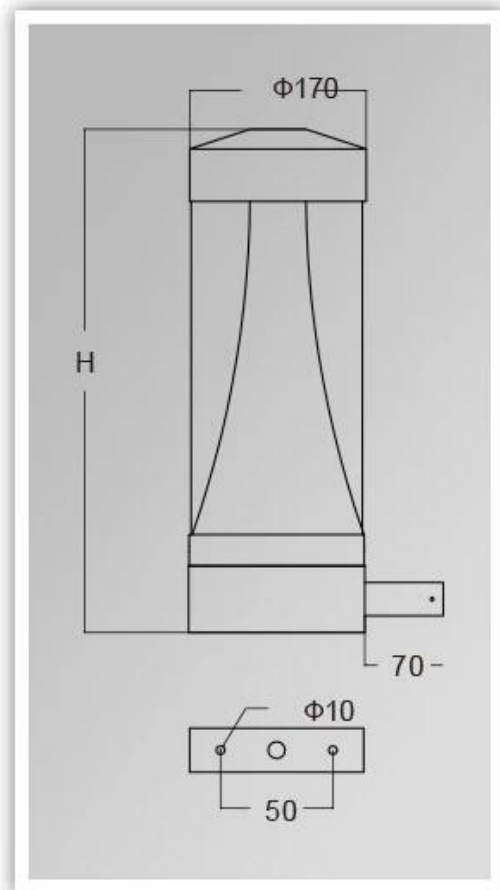


## APPLICATION: DESCRIPTION



- Aluminum die-casting housing.
- Photology PMMA Diffuser.
- Anti-glare aluminum oxide reflector.
- High power LED with anti-glare diffuser plate.
- Protection grade:IP65
- Corrosion-proof capability:II
- Working condition:-35°Cto+45°C
- Isolation class:I
- Power voltage:170-220V / 50~60Hz
- Max power:5-10W

## PRODUCT DIMENSIONS(MM)



## Packaging & Shipping ,Trade Terms:

### Shipping

1. **FedEx/DHL/UPS/TNT** for **samples**, Door-to-Door,
2. **By Air or by Sea** for **batch goods**, for FCL; Airport/ Port receiving,
3. Customers specifying freight forwarders or negotiable shipping methods,
4. **Delivery Time**: 5-7 days for samples; 15-30 days for batch goods.

### Payment Terms

1. Payment: **T/T, Western Union, MoneyGram, PayPal; 30% deposits; 70% balance** before delivery,
2. MOQ: **1pcs**,
3. Warranty: 5years