

What is the details of our [LED Street light](#)?

Whole body die cast aluminum housing
Double photometric diffuser technology
Supper white toughened glass

What is the Specifications of our LED Street light?

Insulation class	Power supply	LED current	Power Factor	Working Ambient	Life span	CRI	CCT
Class I	220-240V 50/60HZ	700mA	>0.95	-40 °C to +55 °C	>50,000hrs	RA>70	3000K-6500K

Product Photos



YMLED-6408L

RAL 7015



RAL 9005



Power range: 80W-180W

CREE XPG3 LED chip

Philips driver

>120LM/W

Quick and tool free open



IP66

IK08



Certificate

Certificate of Compliance

Certificate No.: SH85721411308-11EC-1

Applicant: FUYAO YANGMING LIGHTING CO., LTD
 Manufacturer: FUYAO YANGMING LIGHTING CO., LTD
 Product Name: LFL-16001-L1071
 Trade Name: FUYAO
 Main Test Model: FUYAO-0171, FUYAO-0171A, FUYAO-0171B, FUYAO-0171C, FUYAO-0171D, FUYAO-0171E, FUYAO-0171F, FUYAO-0171G, FUYAO-0171H, FUYAO-0171I, FUYAO-0171J, FUYAO-0171K, FUYAO-0171L, FUYAO-0171M, FUYAO-0171N, FUYAO-0171O, FUYAO-0171P, FUYAO-0171Q, FUYAO-0171R, FUYAO-0171S, FUYAO-0171T, FUYAO-0171U, FUYAO-0171V, FUYAO-0171W, FUYAO-0171X, FUYAO-0171Y, FUYAO-0171Z

Test Standard: EN 60598-1-1:2014, EN 60598-2-1:2014, EN 60598-2-2:2014, EN 60598-2-3:2014, EN 60598-2-12:2014

As stated in the Test Report No.: SH85721411308-11EC-1

The EUT (product) above has been tested by us with the listed standards and found to be compliant with the stated EMC Directive 2004/108/EC. It is possible to use CE marking to demonstrate the compliance with the EMC Directive.
 The certificate applies to the tested sample above mentioned only and shall not imply an assessment of the whole production.



Christian
Manager
Oct. 11, 2014

Shenzhen DEKRA Technology Co., Ltd.
 Not Publicly Available - Information for Licensees, Applicants, and Users. For more information, please contact us. Copyright © 2014 DEKRA Technology Co., Ltd. All rights reserved. No part of this document may be reproduced, stored, transmitted, or disseminated, in any form, or by any means, without prior written permission from DEKRA Technology Co., Ltd.

Certificate of Compliance

Certificate No.: SH85721411308-11EC-2

Applicant: FUYAO YANGMING LIGHTING CO., LTD
 Manufacturer: FUYAO YANGMING LIGHTING CO., LTD
 Product Name: LFL-16001-L1071
 Trade Name: FUYAO
 Main Test Model: FUYAO-0171, FUYAO-0171A, FUYAO-0171B, FUYAO-0171C, FUYAO-0171D, FUYAO-0171E, FUYAO-0171F, FUYAO-0171G, FUYAO-0171H, FUYAO-0171I, FUYAO-0171J, FUYAO-0171K, FUYAO-0171L, FUYAO-0171M, FUYAO-0171N, FUYAO-0171O, FUYAO-0171P, FUYAO-0171Q, FUYAO-0171R, FUYAO-0171S, FUYAO-0171T, FUYAO-0171U, FUYAO-0171V, FUYAO-0171W, FUYAO-0171X, FUYAO-0171Y, FUYAO-0171Z

Test Standard: EN 60598-1-1:2014, EN 60598-2-1:2014, EN 60598-2-2:2014, EN 60598-2-3:2014, EN 60598-2-12:2014

As stated in the Test Report No.: SH85721411308-11EC-2

The EUT (product) above has been tested by us with the listed standards and found to be compliant with the stated EMC Directive 2004/108/EC. It is possible to use CE marking to demonstrate the compliance with the EMC Directive.
 The certificate applies to the tested sample above mentioned only and shall not imply an assessment of the whole production.



Christian
Manager
Oct. 11, 2014

Shenzhen DEKRA Technology Co., Ltd.
 Not Publicly Available - Information for Licensees, Applicants, and Users. For more information, please contact us. Copyright © 2014 DEKRA Technology Co., Ltd. All rights reserved. No part of this document may be reproduced, stored, transmitted, or disseminated, in any form, or by any means, without prior written permission from DEKRA Technology Co., Ltd.

Certificate of Compliance

Certificate No.: SH85721411308-11EC-3

Applicant: FUYAO YANGMING LIGHTING CO., LTD
 Manufacturer: FUYAO YANGMING LIGHTING CO., LTD
 Product Name: LFL-16001-L1071
 Trade Name: FUYAO
 Main Test Model: FUYAO-0171, FUYAO-0171A, FUYAO-0171B, FUYAO-0171C, FUYAO-0171D, FUYAO-0171E, FUYAO-0171F, FUYAO-0171G, FUYAO-0171H, FUYAO-0171I, FUYAO-0171J, FUYAO-0171K, FUYAO-0171L, FUYAO-0171M, FUYAO-0171N, FUYAO-0171O, FUYAO-0171P, FUYAO-0171Q, FUYAO-0171R, FUYAO-0171S, FUYAO-0171T, FUYAO-0171U, FUYAO-0171V, FUYAO-0171W, FUYAO-0171X, FUYAO-0171Y, FUYAO-0171Z

Test Standard: EN 60598-1-1:2014, EN 60598-2-1:2014, EN 60598-2-2:2014, EN 60598-2-3:2014, EN 60598-2-12:2014

As stated in the Test Report No.: SH85721411308-11EC-3

The EUT (product) above has been tested by us with the listed standards and found to be compliant with the stated EMC Directive 2004/108/EC. It is possible to use CE marking to demonstrate the compliance with the EMC Directive.
 The certificate applies to the tested sample above mentioned only and shall not imply an assessment of the whole production.



Christian
Manager
Oct. 11, 2014

Shenzhen DEKRA Technology Co., Ltd.
 Not Publicly Available - Information for Licensees, Applicants, and Users. For more information, please contact us. Copyright © 2014 DEKRA Technology Co., Ltd. All rights reserved. No part of this document may be reproduced, stored, transmitted, or disseminated, in any form, or by any means, without prior written permission from DEKRA Technology Co., Ltd.

Certificate of Compliance

Certificate No.: SH85721411308-11EC-1

Applicant: FUYAO YANGMING LIGHTING CO., LTD
 Manufacturer: FUYAO YANGMING LIGHTING CO., LTD
 Product Name: LFL-16001-L1071
 Trade Name: FUYAO
 Main Test Model: FUYAO-0171, FUYAO-0171A, FUYAO-0171B, FUYAO-0171C, FUYAO-0171D, FUYAO-0171E, FUYAO-0171F, FUYAO-0171G, FUYAO-0171H, FUYAO-0171I, FUYAO-0171J, FUYAO-0171K, FUYAO-0171L, FUYAO-0171M, FUYAO-0171N, FUYAO-0171O, FUYAO-0171P, FUYAO-0171Q, FUYAO-0171R, FUYAO-0171S, FUYAO-0171T, FUYAO-0171U, FUYAO-0171V, FUYAO-0171W, FUYAO-0171X, FUYAO-0171Y, FUYAO-0171Z

Test Standard: EN 60598-1-1:2014, EN 60598-2-1:2014, EN 60598-2-2:2014, EN 60598-2-3:2014, EN 60598-2-12:2014

As stated in the Test Report No.: SH85721411308-11EC-1

The EUT (product) above has been tested by us with the listed standards and found to be compliant with the stated EMC Directive 2004/108/EC. It is possible to use CE marking to demonstrate the compliance with the EMC Directive.
 The certificate applies to the tested sample above mentioned only and shall not imply an assessment of the whole production.



Christian
Manager
Oct. 11, 2014

Shenzhen DEKRA Technology Co., Ltd.
 Not Publicly Available - Information for Licensees, Applicants, and Users. For more information, please contact us. Copyright © 2014 DEKRA Technology Co., Ltd. All rights reserved. No part of this document may be reproduced, stored, transmitted, or disseminated, in any form, or by any means, without prior written permission from DEKRA Technology Co., Ltd.

ATTESTATION OF CONFORMITY

Applicant: Fuyao Yangming Lighting Co., Ltd
 Manufacturer: Fuyao Yangming Lighting Co., Ltd
 Product Name: LFL-16001-L1071
 Trade Name: FUYAO
 Main Test Model: FUYAO-0171, FUYAO-0171A, FUYAO-0171B, FUYAO-0171C, FUYAO-0171D, FUYAO-0171E, FUYAO-0171F, FUYAO-0171G, FUYAO-0171H, FUYAO-0171I, FUYAO-0171J, FUYAO-0171K, FUYAO-0171L, FUYAO-0171M, FUYAO-0171N, FUYAO-0171O, FUYAO-0171P, FUYAO-0171Q, FUYAO-0171R, FUYAO-0171S, FUYAO-0171T, FUYAO-0171U, FUYAO-0171V, FUYAO-0171W, FUYAO-0171X, FUYAO-0171Y, FUYAO-0171Z

Test Standard: EN 60598-1-1:2014, EN 60598-2-1:2014, EN 60598-2-2:2014, EN 60598-2-3:2014, EN 60598-2-12:2014

As stated in the Test Report No.: SH85721411308-11EC-1

This attestation is granted in respect of an examination by DEKRA, the results of which are set forth in a certificate No. 103288 20.

The examination includes the examination types as indicated with the technical description under the following conditions (if applicable):
 - EMC marking
 - CE marking

The examination has been carried out on one single specimen of the product, submitted to the manufacturer. The manufacturer does not assume any responsibility for the representative production. Liability of the manufacturer with the equipment tested by DEKRA is not the responsibility of DEKRA.

Shenzhen, 11 June 2014 Number: 103288 20/14EC

DEKRA Testing and Certification (Shenzhen) Ltd
 Not Publicly Available - Information for Licensees, Applicants, and Users. For more information, please contact us. Copyright © 2014 DEKRA Technology Co., Ltd. All rights reserved. No part of this document may be reproduced, stored, transmitted, or disseminated, in any form, or by any means, without prior written permission from DEKRA Technology Co., Ltd.



ATTESTATION OF CONFORMITY

Applicant: Fuyao Yangming Lighting Co., Ltd
 Manufacturer: Fuyao Yangming Lighting Co., Ltd
 Product Name: LFL-16001-L1071
 Trade Name: FUYAO
 Main Test Model: FUYAO-0171, FUYAO-0171A, FUYAO-0171B, FUYAO-0171C, FUYAO-0171D, FUYAO-0171E, FUYAO-0171F, FUYAO-0171G, FUYAO-0171H, FUYAO-0171I, FUYAO-0171J, FUYAO-0171K, FUYAO-0171L, FUYAO-0171M, FUYAO-0171N, FUYAO-0171O, FUYAO-0171P, FUYAO-0171Q, FUYAO-0171R, FUYAO-0171S, FUYAO-0171T, FUYAO-0171U, FUYAO-0171V, FUYAO-0171W, FUYAO-0171X, FUYAO-0171Y, FUYAO-0171Z

Test Standard: EN 60598-1-1:2014, EN 60598-2-1:2014, EN 60598-2-2:2014, EN 60598-2-3:2014, EN 60598-2-12:2014

As stated in the Test Report No.: SH85721411308-11EC-1

This attestation is granted in respect of an examination by DEKRA, the results of which are set forth in a certificate No. 103288 20.

The examination includes the examination types as indicated with the technical description under the following conditions (if applicable):
 - EMC marking
 - CE marking

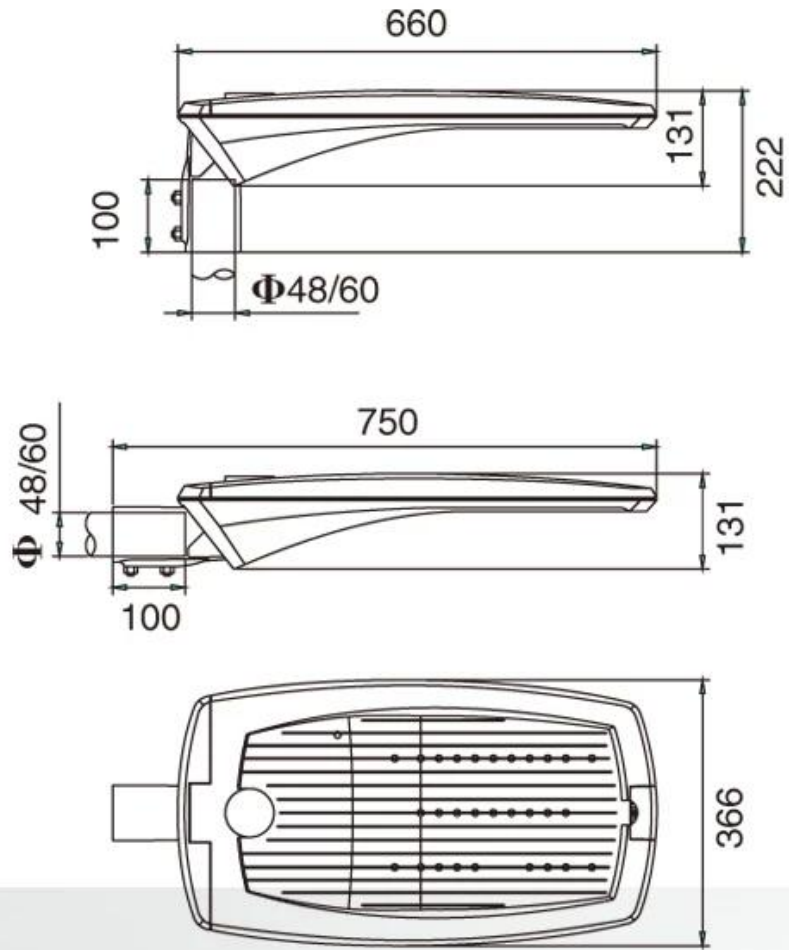
The examination has been carried out on one single specimen of the product, submitted to the manufacturer. The manufacturer does not assume any responsibility for the representative production. Liability of the manufacturer with the equipment tested by DEKRA is not the responsibility of DEKRA.

Shenzhen, 11 June 2014 Number: 103288 20/14EC

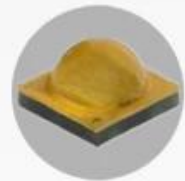
DEKRA Testing and Certification (Shenzhen) Ltd
 Not Publicly Available - Information for Licensees, Applicants, and Users. For more information, please contact us. Copyright © 2014 DEKRA Technology Co., Ltd. All rights reserved. No part of this document may be reproduced, stored, transmitted, or disseminated, in any form, or by any means, without prior written permission from DEKRA Technology Co., Ltd.



Product Dimensions(mm)



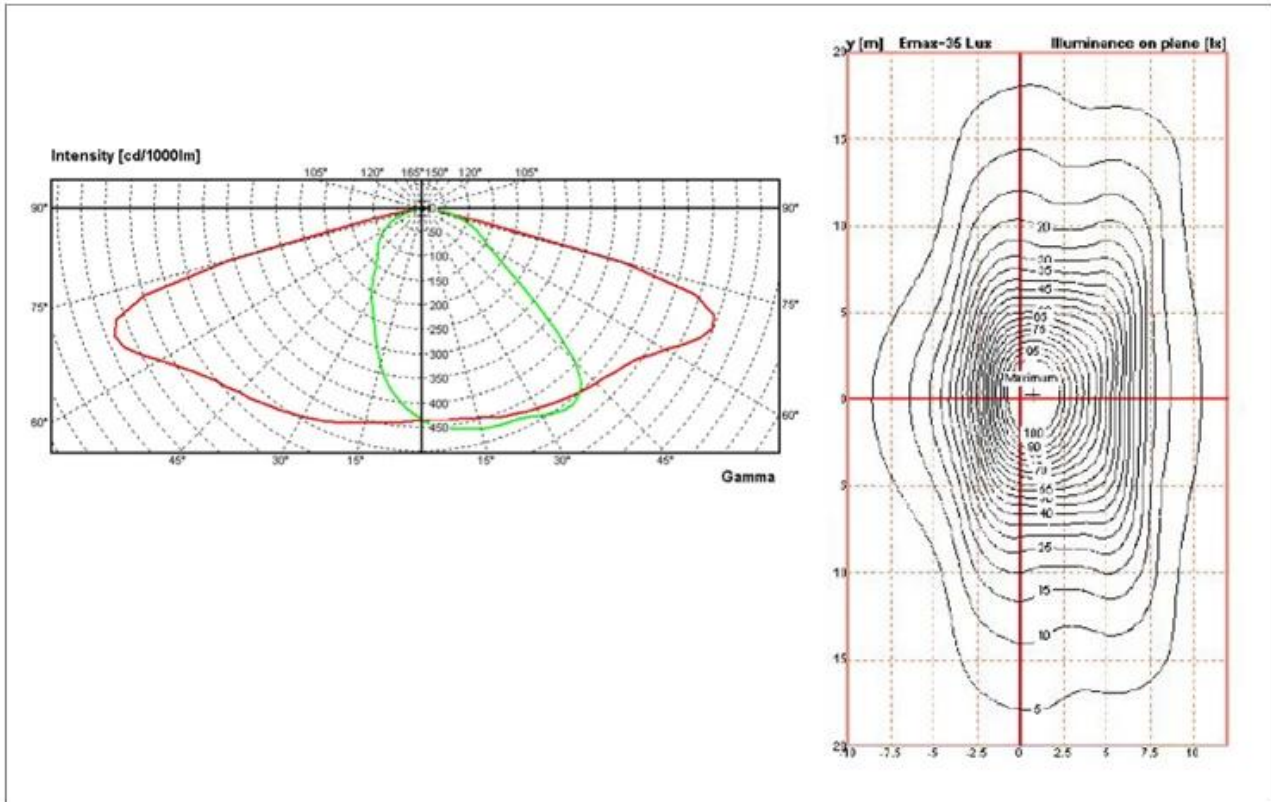
Internal Structure



CREE XPG3 LED chip



Polar Diagram



Configuration Data:

产品型号 Product Code	额定功率 Rated Power (led current 530mA)	初始光通量 Nominal initial FLUX	额定功率 Rated Power (led current 700mA)	初始光通量 Nominal initial FLUX	毛净重 G.W/N.W	包装尺寸 Packing Size
Galaxy max(48)	80W	10304lm	104W	12544lm	9/10(kgs)	770*400*160MM
Galaxy max(64)	105W	13440lm	140W	16800lm	9/10(kgs)	770*400*160MM
Galaxy max(80)	135W	17024lm	180W	21056lm	9/10(kgs)	770*400*160MM

Packaging & Shipping ,Trade Terms:

Shipping

1. FedEx/DHL/UPS/TNT for **samples**, Door-to-Door,
2. **By Air or by Sea** for **batch goods**, for FCL; Airport/ Port receiving,
3. Customers specifying freight forwarders or negotiable shipping methods,
4. **Delivery Time:** 5-7 days for samples; 15-30 days for batch goods.

Payment Terms

1. Payment: **T/T, Western Union, MoneyGram, PayPal; 30% deposits; 70% balance** before delivery,
2. MOQ: **1pcs**,
3. Warranty: 5years