

## What is the details of our [Garden Bollard light](#)?

Die cast aluminum housing,surface treatment for electrostaic power coating  
UV-stop PC lamp cover  
Sealed lamp housing

## What is the Specifications of our Garden light?

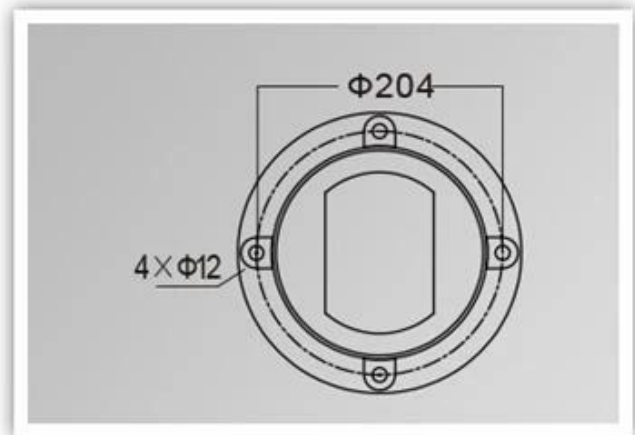
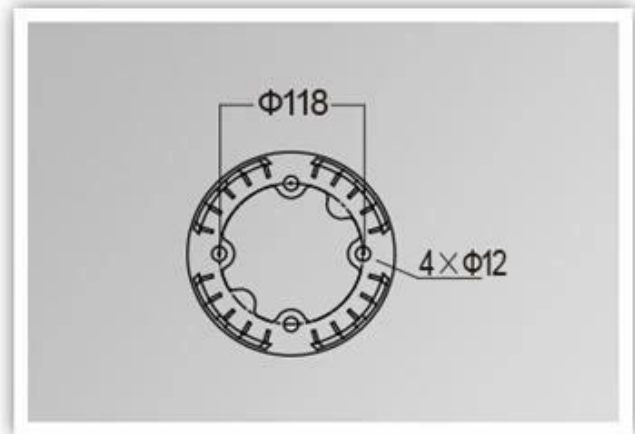
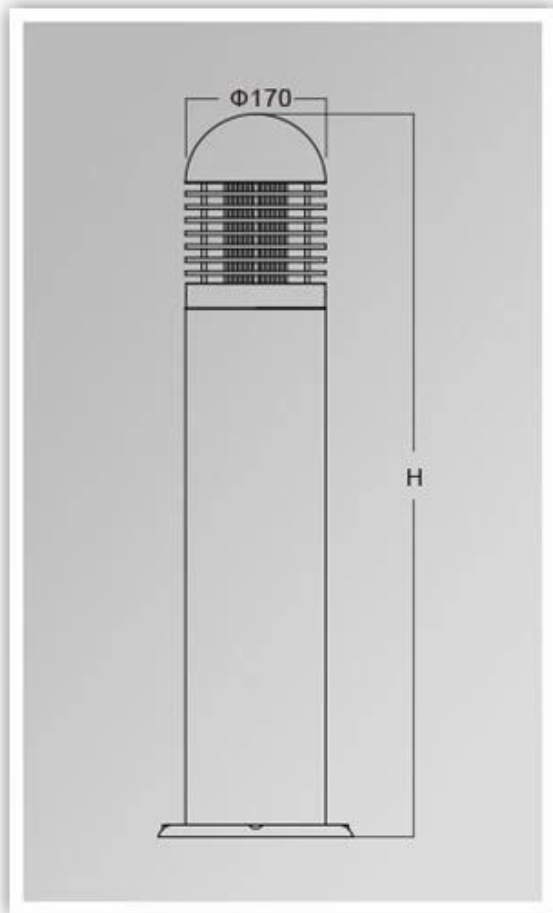
| Insulation class | Power supply    | Protection grade | Corrnsion-proof capability | Working Ambient  | Lamp holder | Max power |
|------------------|-----------------|------------------|----------------------------|------------------|-------------|-----------|
| Class I          | 220V<br>50/60HZ | IP65             | Class II                   | -35 °C to +45 °C | E27         | 35W       |

## Product Photos

# YMLED-6206A



## PRODUCT DIMENSIONS(MM)



## PRODUCT DETAILS



YM-6206A



YM-6206B



YM-6206C

### Packaging & Shipping ,Trade Terms:

#### Shipping

1. **FedEx/DHL/UPS/TNT** for **samples**, Door-to-Door,
2. **By Air or by Sea** for **batch goods**, for FCL; Airport/ Port receiving,
3. Customers specifying freight forwarders or negotiable shipping methods,
4. **Delivery Time:** 5-7 days for samples; 15-30 days for batch goods.

#### Payment Terms

1. Payment: **T/T, Western Union, MoneyGram, PayPal; 30% deposits; 70% balance** before delivery,
2. MOQ: **1pcs**,
3. Warranty: 5years

