

When the details of our [Bollard light](#)?

Die-cast aluminum housing, surface treatment power electrostaic cover die
UV-stop PC lamp cover
Sealed lamp housing

When the specifications of our garden Bollard light?

Insulation class	Power supply	Protection grade	Corrnsion-proof ability	Working Ambient	Lamp holder	Max power
Class I	220V 50 \\\60 Hz	IP65	Class II	-35 ° C to + 45 ° C	E27	35W

Product photo\'s

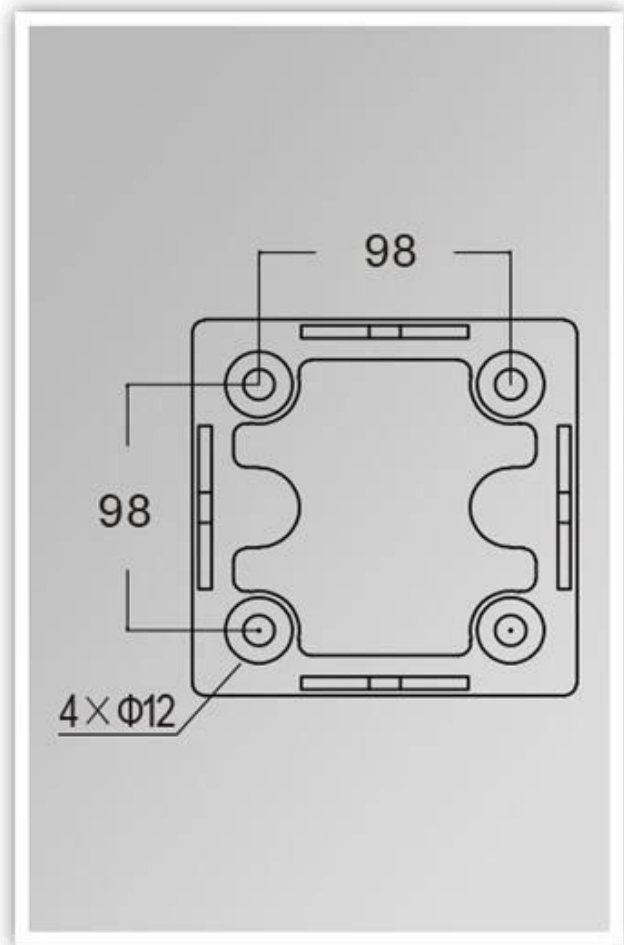
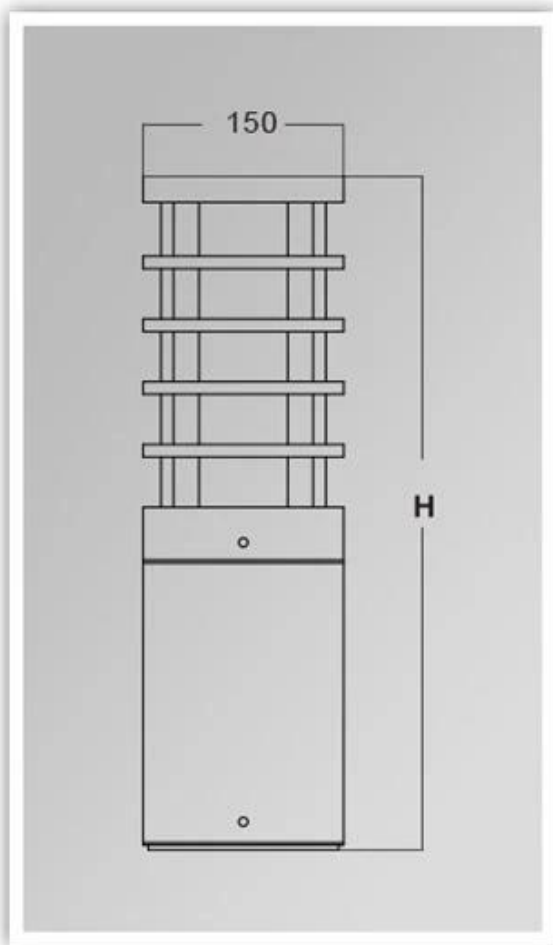
YMLED-6212



PRODUCT DETAILS



PRODUCT DIMENSIONS(MM)



Postage and packaging, trade terms:

Shipping

1. **DHL\TNT\FedEx\UPS** \ \ \ \ for **samples**, Door to door,
2. **By air or sea** for **party goods**, by FCL; Airport \ \ \ Port receiving,
3. give customers freight forwarders or negotiable shipping methods,
4. **Delivery time:** 5-7 days for the samples; 15-30 days for batch shipped goods.

Payment terms

1. payment: **T \ \ \ T, Western Union, MoneyGram, PayPal; 30% deposit \ 's; 70% balance** before the delivery,
2. MOQ: **1pcs**,
3. warranty: 5years

