

## What is the details of our [Bollard light](#)?

Die cast aluminum housing,surface treatment for electrostaic power coating  
UV-stop PC lamp cover  
Sealed lamp housing

## What is the Specifications of our Bollard light?

Insulation class	Power supply	Protection grade	Corrnsion-proof capability	Working Ambient	Lamp holder	Max power
Class I	220V 50/60HZ	IP65	Class II	-35 °C to +45 °C	E27	35W

## Product Photos

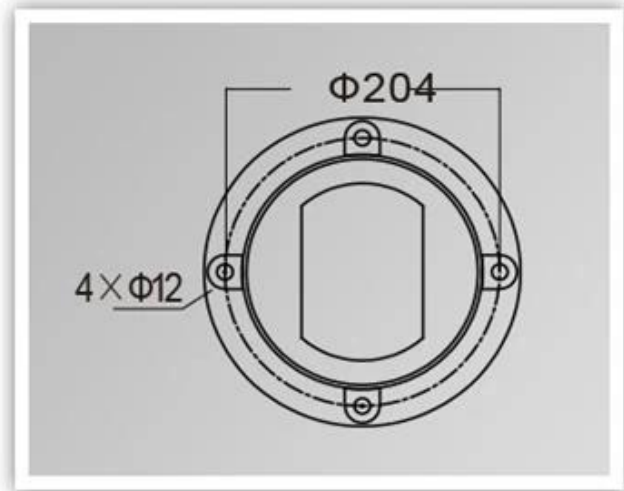
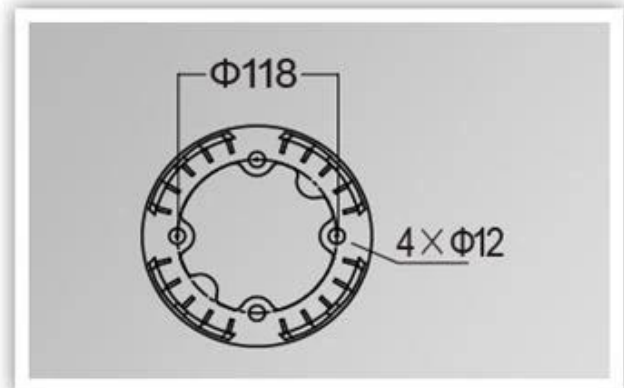
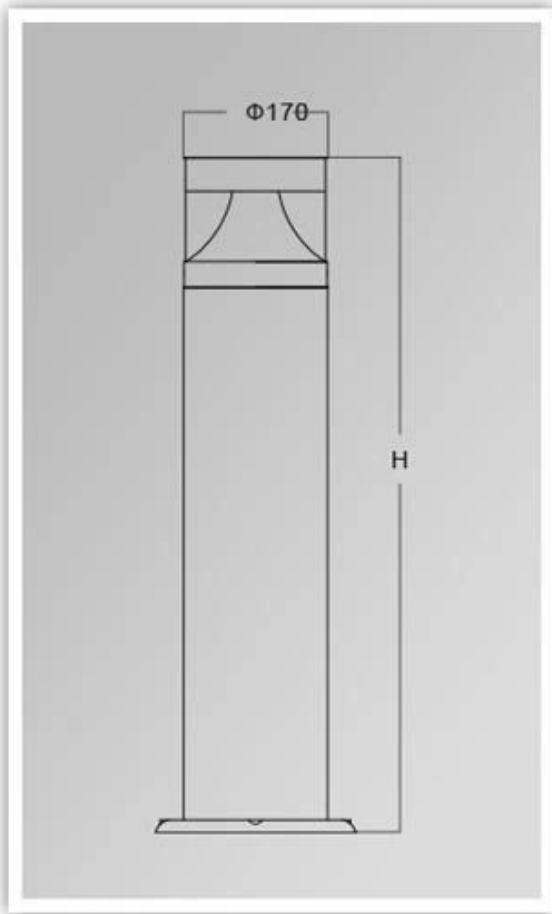
# YMLED-6220C



## PRODUCT DETAILS



## PRODUCT DIMENSIONS(MM)



### Packaging & Shipping ,Trade Terms:

#### Shipping

1. **FedEx/DHL/UPS/TNT** for **samples**, Door-to-Door,
2. **By Air or by Sea** for **batch goods**, for FCL; Airport/ Port receiving,
3. Customers specifying freight forwarders or negotiable shipping methods,
4. **Delivery Time**: 5-7 days for samples; 15-30 days for batch goods.

#### Payment Terms

1. Payment: **T/T, Western Union, MoneyGram, PayPal**; **30% deposits; 70% balance** before delivery,
2. MOQ: **1pcs**,
3. Warranty: 5years