

## What is the details of our LED Garden light?

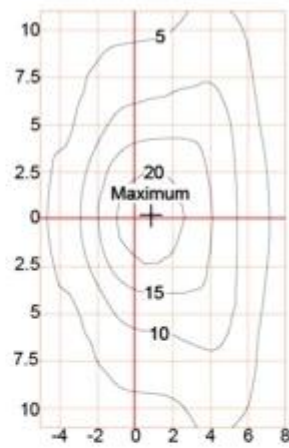
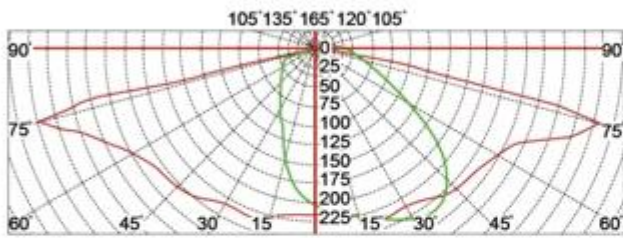
Die Gussguss-Aluminiumgehäuse  
Gehärtete Glasmaske  
Versiegelte Lampengehäuse.  
Doppelphotometrische Diffusor-Technologie  
Ausgestattet mit NEMA-Sockel

### Configuration Data:

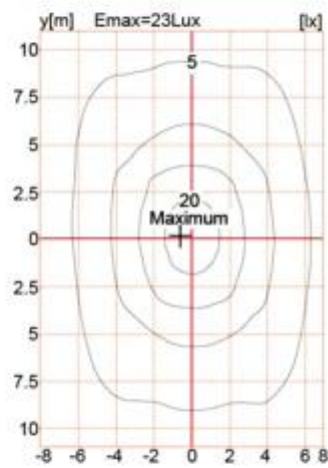
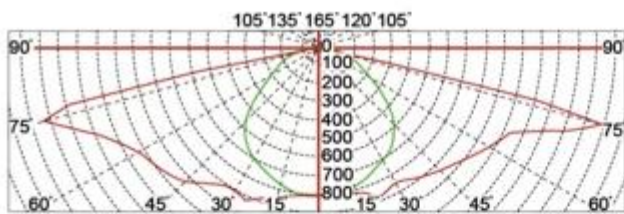
Produktcode	Nennleistung	LED-Menge	Lichtstrom	G.w / n.w.	Packungsgröße	Beladung der Menge.
YMLED-6143 (16)	30w.	16.	3750.	10.3 / 8.8 (kg)	560 * 560 * 220mm	400pcs / 20'GP.
YMLED-6143 (20)	40w.	20.	5000.	10.3 / 8.8 (kg)	560 * 560 * 220mm	1008pcs / 40'hq.
YMLED-6143 (24)	Mit 55 Watt	24.	6875.	10.3 / 8.8 (kg)	560 * 560 * 220mm	
YMLED-6143 (28)	Mit 60 Watt	28.	7500.	10.3 / 8.8 (kg)	560 * 560 * 220mm	
YMLED-6143 (32)	70w.	32.	8750.	10.3 / 8.8 (kg)	560 * 560 * 220mm	
YMLED-6143 (36)	Mit 80W.	36.	10000.	10.3 / 8.8 (kg)	560 * 560 * 220mm	
YMLED-6143 (40)	90w.	40.	11250.	10.3 / 8.8 (kg)	560 * 560 * 220mm	
YMLED-6143 (44)	Zu 100w.	44.	12500.	10.3 / 8.8 (kg)	560 * 560 * 220mm	
YMLED-6143 (48)	105w.	48.	13125.	10.3 / 8.8 (kg)	560 * 560 * 220mm	

### Polar Diagram:

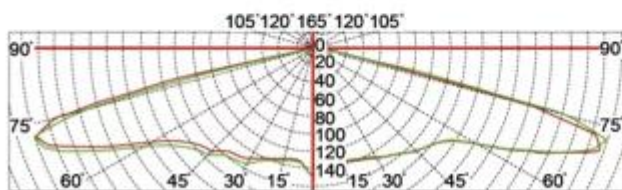
Type1



Type2



Type3





# YMLED6143

RAL 7015



RAL 9005



**Power range: 30w-105w**

**AC120v-277v 50/60Hz**

**CREE XTE LED chip**

**INVENTRONICS driver**

**Die cast aluminum housing**

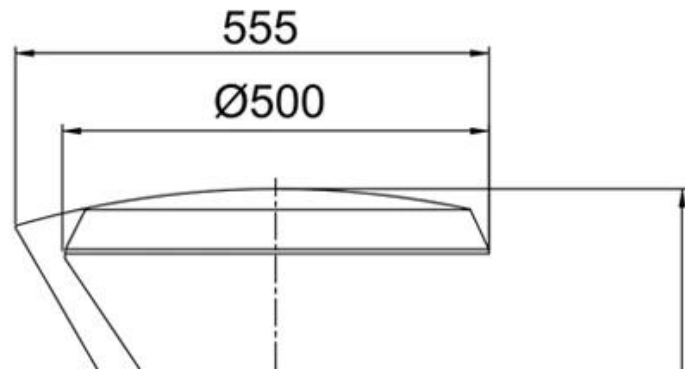


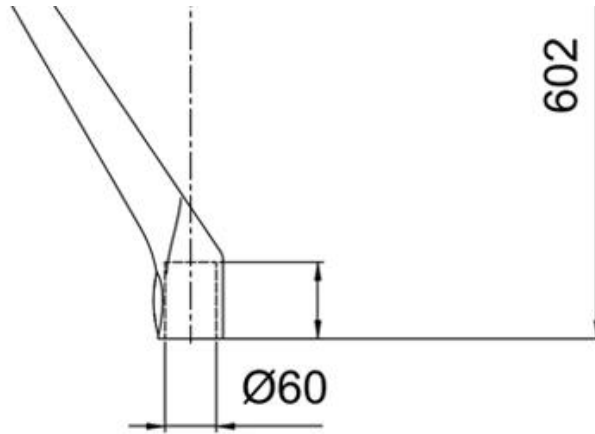
IP65

## Certificate



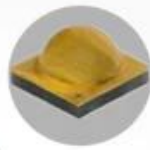
# Product Dimensions(mm)





# Configuration Data:

## Internal Structure



Die cast aluminum housing

Tempered glass

CREE XTE LED chip

Install pipe D76mm







# Company Profile

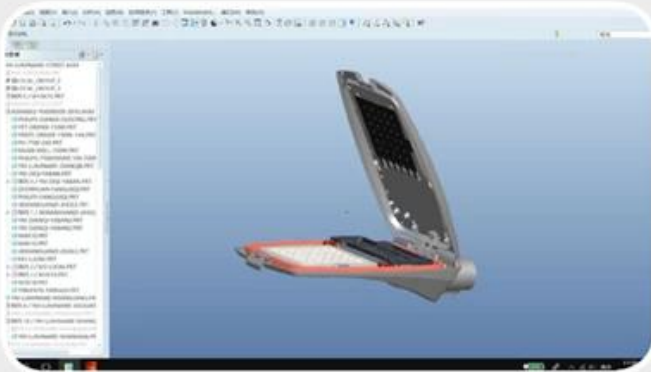
Yuyao Yangming Lighting Co., Ltd. is mainly engaged in the development and production of garden lighting. Founded in 2001, it has developed more than 200 kinds of Garden lights, street lights, lawn lights, footpath lights, light poles, led lights and wall lights.

Now we are creating our own brands and developing products suitable for market. Welcome all friends to contact us. We will make contribution to lightening your home.





# Testing and Design



product design



ingress protection (ip) testing equipment.

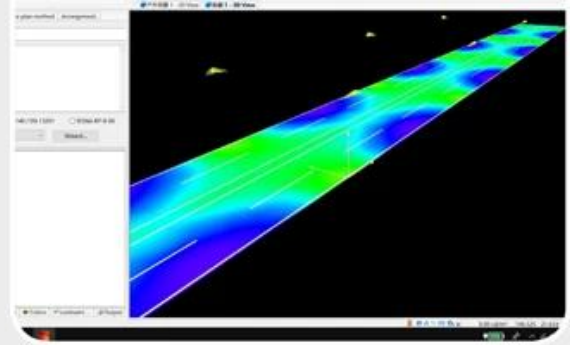


led street lighting aging testing line.





ullbrich sphere for testing luminous flux



road lighting simulation

# Exhibittion

