

What is the details of our [Garden Bollard hell?](#)

Die cast aluminum housing, surface treatment for electrostaic power coating
UV-stop PC lamp cover
Sealed lamp housing

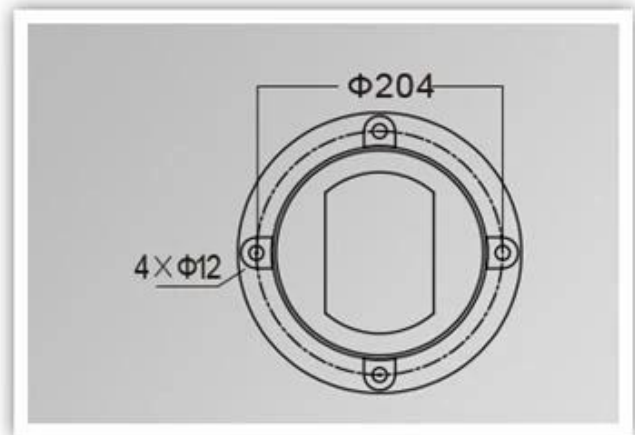
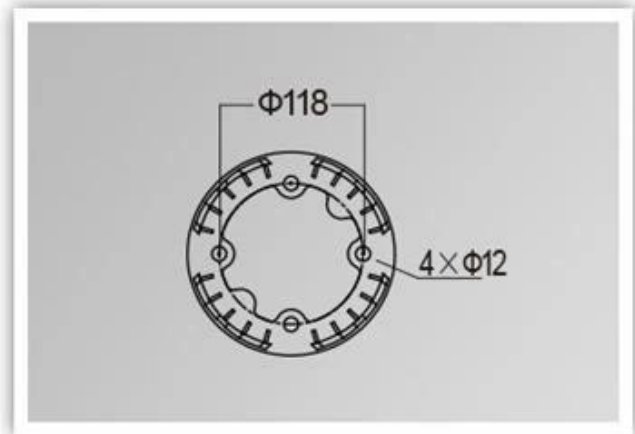
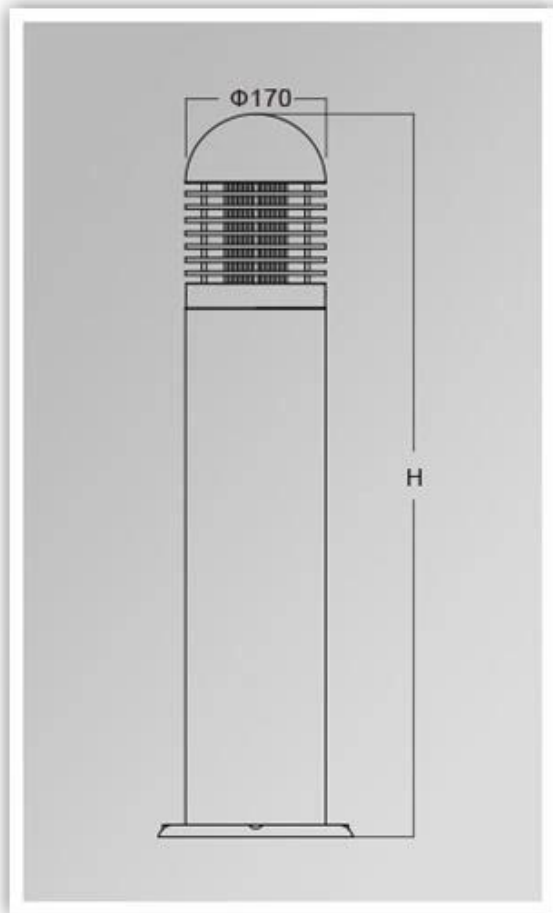
What is the Specifications of our Garden light?

Isolationsklasse	Stromversorgung	Protection grade	Corrnasion-proof capability	Working Ambient	Lampenhalter	maximale Kraft
Class I	220V. 50/60HZ	IP65	Class II	-35 °C to +45 °C	E27	35W

Product Photos



PRODUCT DIMENSIONS(MM)



PRODUCT DETAILS



YM-6206A



YM-6206B



YM-6206C

Packaging & Shipping ,Trade Terms:

Versand

- 1 **FedEx/DHL/UPS/TNT** zum **Proben**, Tür zu Tür,
- 2 **By Air or by Sea** zum **batch goods**, for FCL; Airport/ Port receiving,
3. Customers specifying freight forwarders or negotiable shipping methods,
- 4 **Lieferzeit:** 5.-7 days for samples; fünfzehn-30. days for batch goods.

Zahlungsbedingungen

1. Payment: **T/T, Western Union, MoneyGram, PayPal; 30% deposits; 70% balance** vor der Auslieferung,
- 2 **MOQ: 1 Stück,**
3. Warranty: 5years

