

What is the details of our LED Garden light?

Spinning aluminum housing

Sealed lamp housing

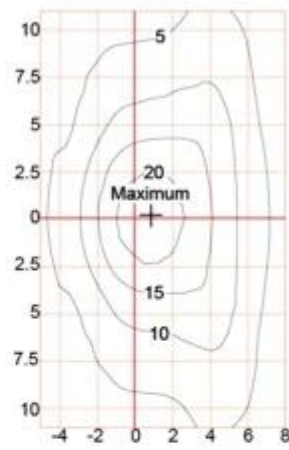
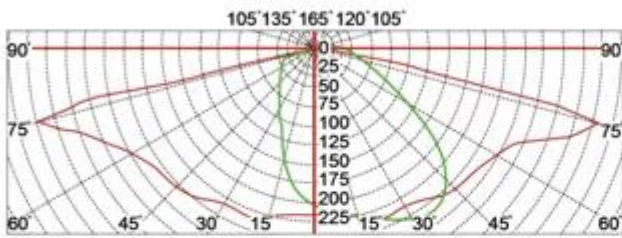
Double photometric diffuser technology

Configuration Data:

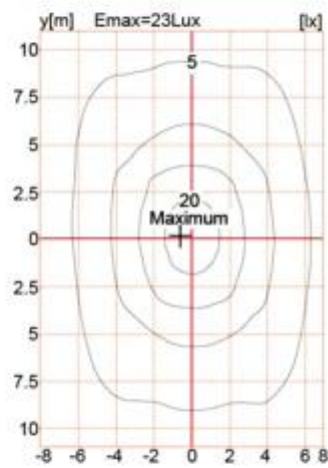
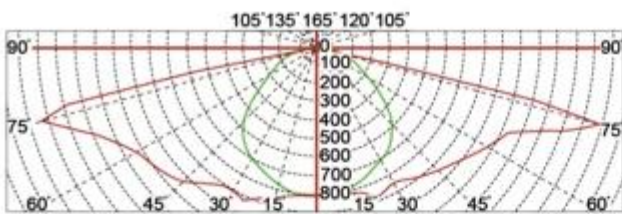
Product Code	Rated Power	LED Qty	Luminous Flux	G.W/N.W	Packing Size	Loading Qty
YMLED-6140(16)	30W	16	3810	7.5/6(kgs)	605*605*420mm	135PCS/20'GP
YMLED-6140(20)	55W	20	6985	7.5/6(kgs)	605*605*420mm	342PCS/40'HQ
YMLED-6140(24)	70W	24	8890	7.5/6(kgs)	605*605*420mm	

Polar Diagram:

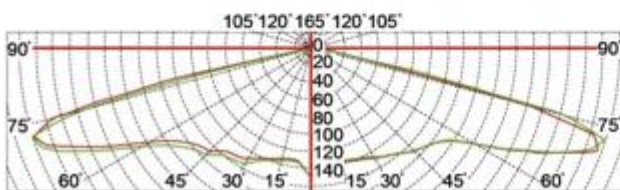
Type1



Type2



Type3





YMLED-6140

RAL 7015



RAL 9005



Product description:

- whole body Die cast aluminum housing
- Double photometric diffuser technology
- Supper white toughened glass
- Sealed lamp housing

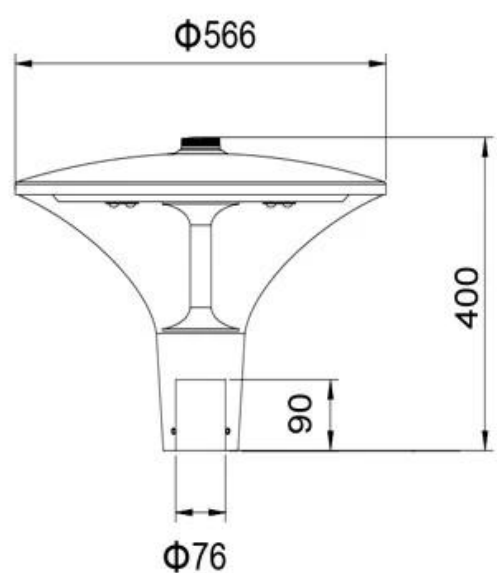
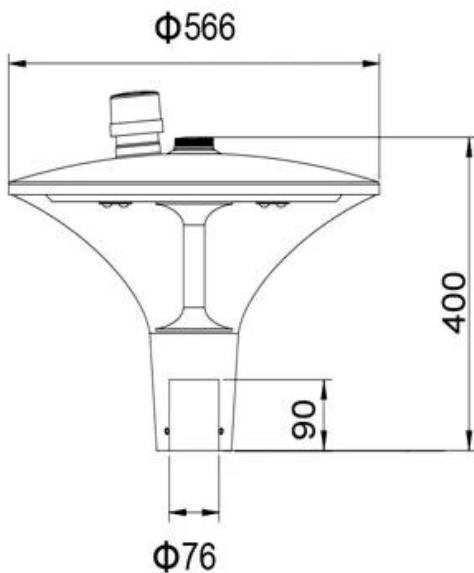


Certificate





Product Dimensions(mm)



Internal Structure

