

LED

UV-STOP PC

LED

Item	Input	LED	Beam	Temp	Life	Beam	CCT
I	120-277V. 50 / 60Hz.	700mA	> 0.95	-35 °C +45 °C.	> 30,000	ra > 75.	3000K-6500K.

Ymled-6608.
 4pcs.
 8W
 500-600lm.
 3 / 2.5kgs.
 250x250x400mm.

LED

YMLED-6608

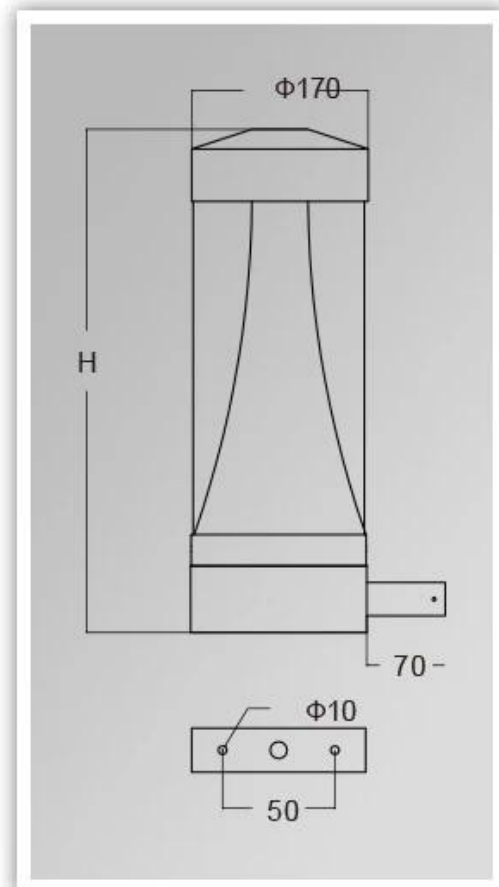


APPLICATION: DESCRIPTION



- Aluminum die-casting housing.
- Photology PMMA Diffuser.
- Anti-glare aluminum oxide reflector.
- High power LED with anti-glare diffuser plate.
- Protection grade:IP65
- Corrosion-proof capability:II
- Working condition:-35°Cto+45°C
- Isolation class:I
- Power voltage:170-220V / 50~60Hz
- Max power:5-10W

PRODUCT DIMENSIONS(MM)





□□

1. **FedEx / DHL / UPS / TNT** □□ □□□□□□

2. □□□□□□ □□ □□□□fcl;□□/□□□□□□

3. □□□□□□□□□□□□□□□□□□

4. □□□□□□ 5.□□ - 7□; 15. - 30. □□□□□□

□□□□

1. □□□ **T / T.** □□□□□□ **Moneygram. □PayPal.;** **30**□□□□; **70**□□□□ □□□□

2. **MOQ** □ **1**□□

3. □□□5□