

What is the details of our LED Garden light?

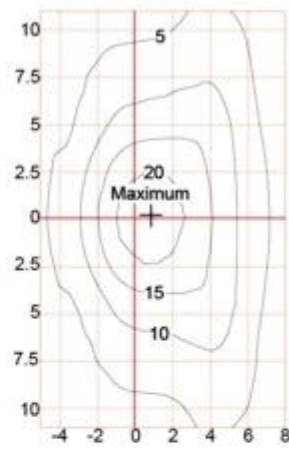
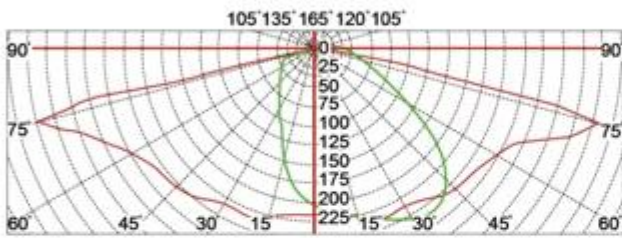
Spinning aluminum housing
Sealed lamp housing
Double photometric diffuser technology

Configuration Data:

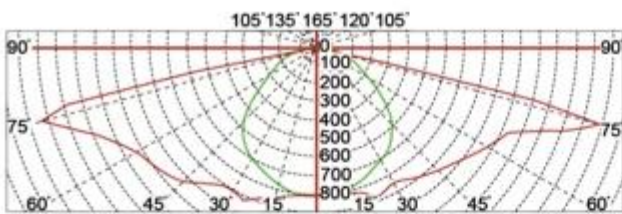
| Product Code | Rated Power | LED Qty | Luminous Flux | G.W/N.W | Packing Size | Loading Qty |
|----------------|-------------|---------|---------------|------------|---------------|--------------|
| YMLED-6140(16) | 30W | 16 | 3810 | 7.5/6(kgs) | 605*605*420mm | 135PCS/20'GP |
| YMLED-6140(20) | 55W | 20 | 6985 | 7.5/6(kgs) | 605*605*420mm | 342PCS/40'HQ |
| YMLED-6140(24) | 70W | 24 | 8890 | 7.5/6(kgs) | 605*605*420mm | |

Polar Diagram:

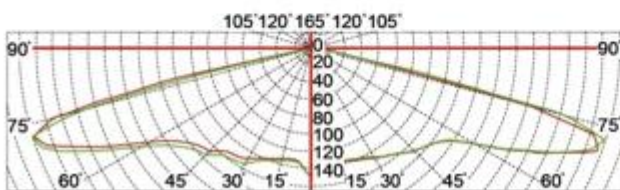
Type1



Type2



Type3





YMLED-6140

RAL 7015



RAL 9005



Product description:
 whole body Die cast aluminum housing
 Double photometric diffuser technology
 Supper white toughened glass
 Sealed lamp housing

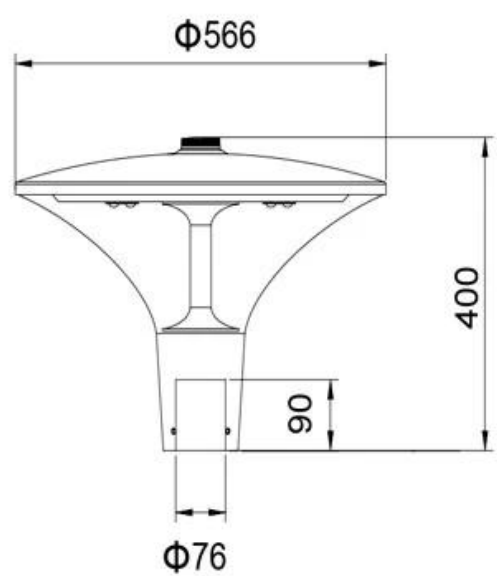
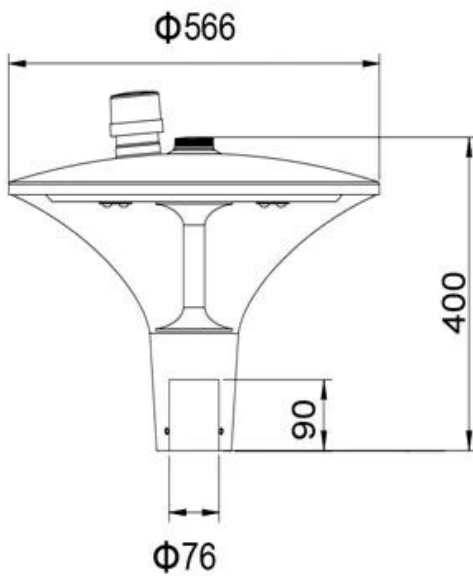


Certificate





Product Dimensions(mm)



Internal Structure

