

LED

LED

		LED					CCT.
I	200-240V 50 / 60Hz.	700mA	> 0.95	-40 °C + 55°C	> 50,000hrs.	ra> 75.	3000K-6500K.
		Ymled-6408L 48		Ymled-6408L 64		Ymled-6408L 80	
LED		48pcs.		64		80pcs.	
		110W		150W		180W	
		> 120lm / w		> 120lm / w		> 120lm / w	



YMLED-6408L

RAL 7015



RAL 9005



Power range: 80W-180W

CREE XPG3 LED chip

Philips driver

>120LM/W

Quick and tool free open



IP66

IK08



Certificate

Certificate of Compliance

Certificate No.: **SH02721411008-11EC-1**

Applicant: **FUYAO YANSHENG LIGHTING CO., LTD**
Mingyi Industrial Zone, Langyung Town, Yuzhou, Zhejiang, China
Manufacturer: **FUYAO YANSHENG LIGHTING CO., LTD**
Mingyi Industrial Zone, Langyung Town, Yuzhou, Zhejiang, China
Product Name: **L270 LAMPEN LIGHT**
Trade Name: **YANSHENG**
Main Test Model: **YAN SHENG**
Additional Model: **YAN SHENG**

Test Standard: **EN 60528-1:2013**
EN 60528-2:2013
EN 60598-1:2014
EN 60598-2-1:2015

As shown in the Test Report No.: **SH02721411008-11EC-1**

The EUT (applicant above) has been tested by us with the listed standards and found to comply with the related EMC directive 2004/103/EC. It is possible to use CE marking to demonstrate the compliance with the EMC Directive.
The certificate applies to the tested sample above mentioned only and shall not imply an assessment of the whole production.



Shenzhen BST Technology Co., Ltd.
Not Publicly Available. Information on this Certificate, Product Name, Manufacturer Name, Declaration, Declaration Date, Certificate No. can be found on our website: www.bst-cert.com, Tel: +86 755 8333 8888, Fax: +86 755 8333 8888, Email: bst@bst-cert.com

Certificate of Compliance

Certificate No.: **SH02721411008-11EC-2**

Applicant: **FUYAO YANSHENG LIGHTING CO., LTD**
Mingyi Industrial Zone, Langyung Town, Yuzhou, Zhejiang, China
Manufacturer: **FUYAO YANSHENG LIGHTING CO., LTD**
Mingyi Industrial Zone, Langyung Town, Yuzhou, Zhejiang, China
Product Name: **L270 LAMPEN LIGHT**
Trade Name: **YANSHENG**
Main Test Model: **YAN SHENG**
Additional Model: **YAN SHENG**

Test Standard: **EN 60528-1:2013**
EN 60528-2:2013
EN 60598-1:2014
EN 60598-2-1:2015

As shown in the Test Report No.: **SH02721411008-11EC-2**

The EUT (applicant above) has been tested by us with the listed standards and found to comply with the related EMC directive 2004/103/EC. It is possible to use CE marking to demonstrate the compliance with the EMC Directive.
The certificate applies to the tested sample above mentioned only and shall not imply an assessment of the whole production.



Shenzhen BST Technology Co., Ltd.
Not Publicly Available. Information on this Certificate, Product Name, Manufacturer Name, Declaration, Declaration Date, Certificate No. can be found on our website: www.bst-cert.com, Tel: +86 755 8333 8888, Fax: +86 755 8333 8888, Email: bst@bst-cert.com

Certificate of Compliance

Certificate No.: **SH02721411008-11EC-2**

Applicant: **FUYAO YANSHENG LIGHTING CO., LTD**
Mingyi Industrial Zone, Langyung Town, Yuzhou, Zhejiang, China
Manufacturer: **FUYAO YANSHENG LIGHTING CO., LTD**
Mingyi Industrial Zone, Langyung Town, Yuzhou, Zhejiang, China
Product Name: **L270 LAMPEN LIGHT**
Trade Name: **YANSHENG**
Main Test Model: **YAN SHENG**
Additional Model: **YAN SHENG**

Test Standard: **EN 60528-1:2013**
EN 60528-2:2013
EN 60598-1:2014
EN 60598-2-1:2015

As shown in the Test Report No.: **SH02721411008-11EC-2**

The EUT (applicant above) has been tested by us with the listed standards and found to comply with the related EMC directive 2004/103/EC. It is possible to use CE marking to demonstrate the compliance with the EMC Directive.
The certificate applies to the tested sample above mentioned only and shall not imply an assessment of the whole production.



Shenzhen BST Technology Co., Ltd.
Not Publicly Available. Information on this Certificate, Product Name, Manufacturer Name, Declaration, Declaration Date, Certificate No. can be found on our website: www.bst-cert.com, Tel: +86 755 8333 8888, Fax: +86 755 8333 8888, Email: bst@bst-cert.com

Certificate of Compliance

Certificate No.: **SH02721411008-11EC-1**

Applicant: **FUYAO YANSHENG LIGHTING CO., LTD**
Mingyi Industrial Zone, Langyung Town, Yuzhou, Zhejiang, China
Manufacturer: **FUYAO YANSHENG LIGHTING CO., LTD**
Mingyi Industrial Zone, Langyung Town, Yuzhou, Zhejiang, China
Product Name: **L270 LAMPEN LIGHT**
Trade Name: **YANSHENG**
Main Test Model: **YAN SHENG**
Additional Model: **YAN SHENG**

Test Standard: **EN 60528-1:2013**
EN 60528-2:2013
EN 60598-1:2014
EN 60598-2-1:2015

As shown in the Test Report No.: **SH02721411008-11EC-1**

The EUT (applicant above) has been tested by us with the listed standards and found to comply with the related EMC directive 2004/103/EC. It is possible to use CE marking to demonstrate the compliance with the EMC Directive.
The certificate applies to the tested sample above mentioned only and shall not imply an assessment of the whole production.



Shenzhen BST Technology Co., Ltd.
Not Publicly Available. Information on this Certificate, Product Name, Manufacturer Name, Declaration, Declaration Date, Certificate No. can be found on our website: www.bst-cert.com, Tel: +86 755 8333 8888, Fax: +86 755 8333 8888, Email: bst@bst-cert.com

ATTESTATION OF CONFORMITY

DEKRA

Issued to: **Fuyao Yansheng Lighting Co., Ltd**
Mingyi Industrial Park, Langyung Town, Yuzhou, China

For the product: **L270 lamp light**

Product: **Fuyao Yansheng Lighting Co., Ltd**

Location: **China (mainland - 0000)**

Reference: **EN 60528-1:2013, EN 60528-2:2013, EN 60598-1:2014, EN 60598-2-1:2015**

Model: **YAN SHENG**

Manufacturer: **Fuyao Yansheng Lighting Co., Ltd**
Mingyi Industrial Park, Langyung Town, Yuzhou, China

Representative: **EN 60528-1:2013**
EN 60528-2:2013
EN 60598-1:2014
EN 60598-2-1:2015

This Declaration is granted in respect of an examination by DEKRA, the results of which are set forth in a certificate for no. 1020080101.

This Declaration certifies that the examined type is in accordance with the technical description under the following conditions (EN 60528-1:2013):

The examination has been carried out on one single specimen of the product, submitted to the manufacturer. The Declaration does not include an assessment of the manufacturer's production. Liability of the manufacturer with the equipment tested by DEKRA is not the responsibility of DEKRA.

Shanghai, 1 June 2017 Number: 1020080101/01/01

DEKRA Testing and Certification (Shanghai) Co., Ltd.
Signature: 
Name: **L. Kang**
Title: **Chief Officer Manager**

This Declaration may be affixed to the product or to a separate sheet attached to the product.



ATTESTATION OF CONFORMITY

DEKRA

Issued to: **Fuyao Yansheng Lighting Co., Ltd**
Mingyi Industrial Park, Langyung Town, Yuzhou, China

For the product: **L270 lamp light**

Product: **Fuyao Yansheng Lighting Co., Ltd**

Location: **China (mainland - 0000)**

Reference: **EN 60528-1:2013, EN 60528-2:2013, EN 60598-1:2014, EN 60598-2-1:2015**

Model: **YAN SHENG**

Manufacturer: **Fuyao Yansheng Lighting Co., Ltd**
Mingyi Industrial Park, Langyung Town, Yuzhou, China

Representative: **EN 60528-1:2013**
EN 60528-2:2013
EN 60598-1:2014
EN 60598-2-1:2015

This Declaration is granted in respect of an examination by DEKRA, the results of which are set forth in a certificate for no. 1020080101.

This Declaration certifies that the examined type is in accordance with the technical description in the following conditions (EN 60528-1:2013):

The examination has been carried out on one single specimen of the product, submitted to the manufacturer. The Declaration does not include an assessment of the manufacturer's production. Liability of the manufacturer with the equipment tested by DEKRA is not the responsibility of DEKRA.

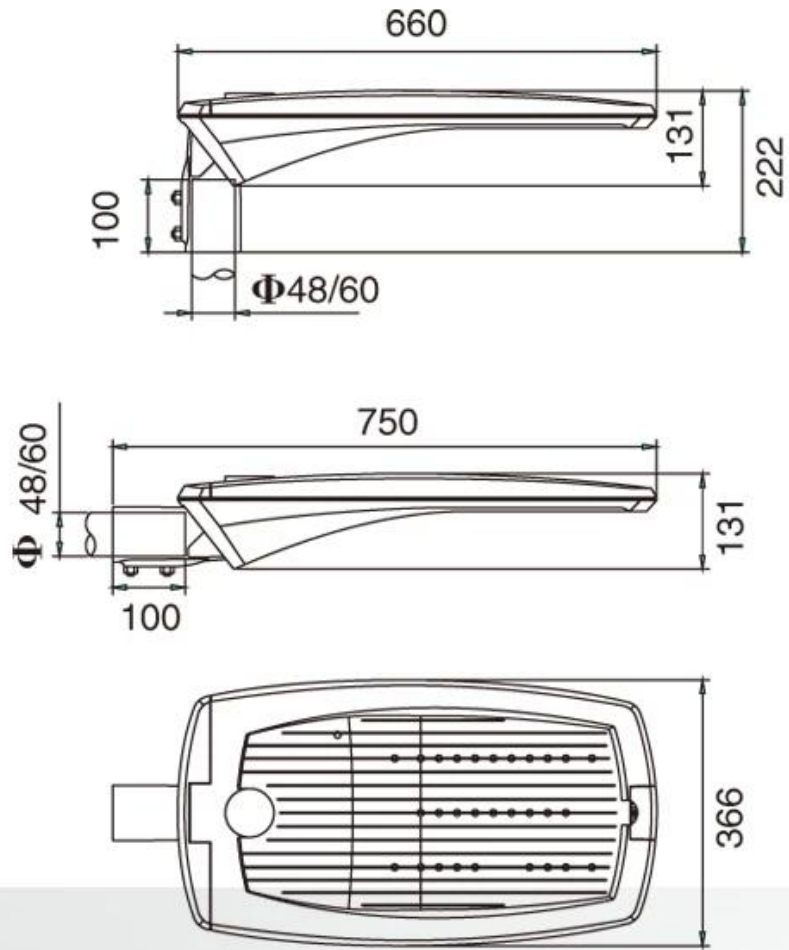
Shanghai, 11 June 2017 Number: 1020080101/01/01

DEKRA Testing and Certification (Shanghai) Co., Ltd.
Signature: 
Name: **Kang**
Title: **Chief Officer Manager**

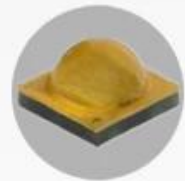
This Declaration may be affixed to the product or to a separate sheet attached to the product.



Product Dimensions(mm)



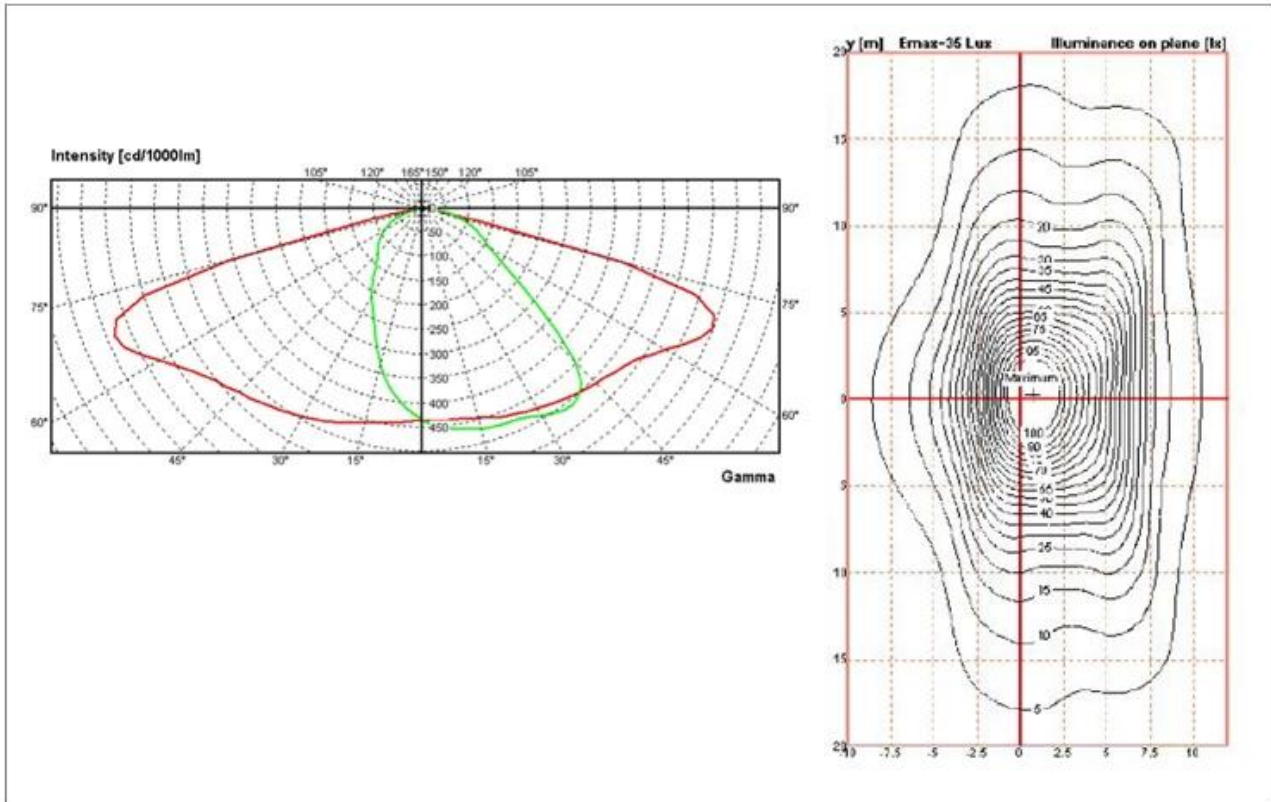
Internal Structure



CREE XPG3 LED chip



Polar Diagram



Configuration Data:

产品型号 Product Code	额定功率 Rated Power (led current 530mA)	初始光通量 Nominal initial FLUX	额定功率 Rated Power (led current 700mA)	初始光通量 Nominal initial FLUX	毛净重 G.W/N.W	包装尺寸 Packing Size
Galaxy max(48)	80W	10304lm	104W	12544lm	9/10(kgs)	770*400*160MM
Galaxy max(64)	105W	13440lm	140W	16800lm	9/10(kgs)	770*400*160MM
Galaxy max(80)	135W	17024lm	180W	21056lm	9/10(kgs)	770*400*160MM



Company Profile

Yuyao Yangming Lighting Co., Ltd. is mainly engaged in the development and production of garden lighting. Founded in 2001, it has developed more than 200 kinds of Garden lights, street lights, lawn lights, footpath lights, light poles, led lights and wall lights.

Now we are creating our own brands and

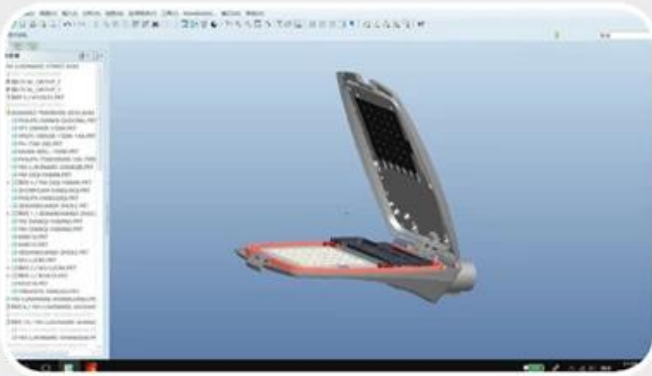


Now we are creating our own brands and developing products suitable for market. Welcome all friends to contact us. We will make contribution to lightening your home.



Testing and Design

Testing and Design



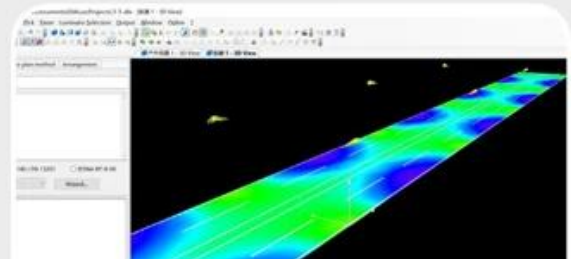
product design



led street lighting aging testing line.



ingress protection (Ip) testing equipment.



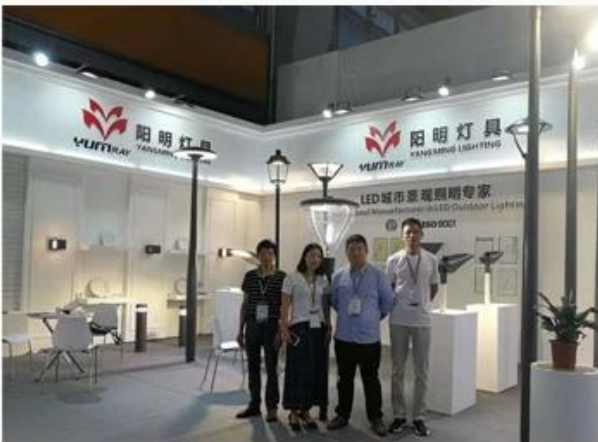


ullbrich sphere for testing luminous flux



road lighting simulation

Exhibittion





Add : Minyin industrial Zone, Liangnong Town,
Yuyao,Zhenjiang,China

Sale: 0574-22222345 / 22719888
0574-22672345(Fax)

Hotline: 0574-62359099
0574-62359077(Fax)

Http://www.ym-lighting.com
www.yyym2001.1688.com
www.yangminglamps.en.alibaba.com



□□

1. FedEx / DHL / UPS / TNT □□ □□□□□□
2. □□□□□□ □□ □□□□fcI;□□/□□□□□□
3. □□□□□□□□□□□□□□□□□□
4. □□□□□□ 5.□□ - 7□; 15. - 30. □□□□□□

□□□□

1. □□□ T / T.□ □□□□□ Moneygram.□PayPal.; 30□□□□; 70□□□□ □□□□
2. MOQ□ 1□□
3. □□□5□