

ب. Light Bard لدينا LED ما هي تفاصيل

Die-cast aluminum housing, surface treatment for electrostaic coating

UV-Stop PC lamp cover

□□□□ □□□□ □□□□□□

What are the specifications of ours [حمل Light Bard](#) ب.

□□□□ □□	□□□□□□ □□□□	LED Current	□□□□ □□□□	□□□□ □□□□	□□□	CRI.	CCT.
Class I.	120-277V. 50 / 60Hz.	700mA.	> 0.95.	-35. ° C to +45 ° C.	> 30,000 hours	RA> 75.	3000K-6500K.

□□□□□□ □□□

Qty LED.

Nominal power

□□□□□ □□□□

G.W / N.W.

Packing size

Ymeled-6218.

4 □□□□ □□□□□□□ □□□□.

8W.

500-600lm.

5 / 4.5kgs.

250x250x830mm.

Product photo.



YM-6218

RAL 7015



RAL 9005

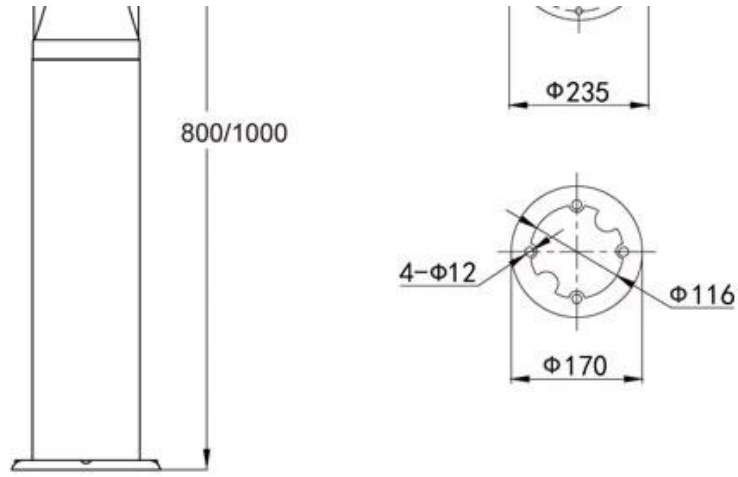


Die cast aluminum housing
CREE LED Chip / Meanwell driver
Height can be customized



CE IP65

Certificate



Configuration Data:

Protection grade	Corrosion-proof capability	Working condition	Isolation class	Power voltage	Max power
IP65	II 类	-35°C ~ +45°C	class I	120~277V 50/60Hz	8W(SMT)





Company Profile

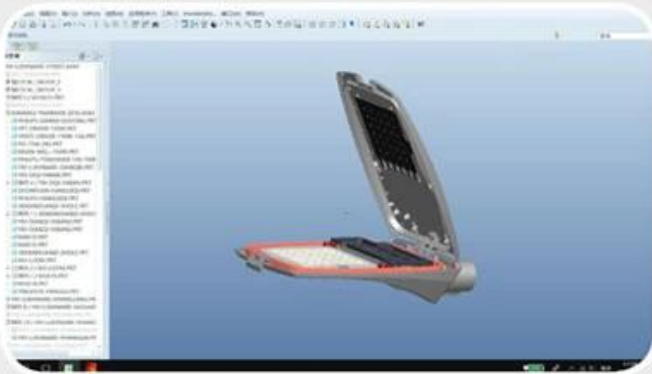
Yuyao Yangming Lighting Co., Ltd. is mainly engaged in the development and production of garden lighting. Founded in 2001, it has developed more than 200 kinds of Garden lights, street lights, lawn lights, footpath lights, light poles, led lights and wall lights.

Now we are creating our own brands and developing products suitable for market. Welcome all friends to contact us. We will make contribution to lightening your home.





Testing and Design



product design

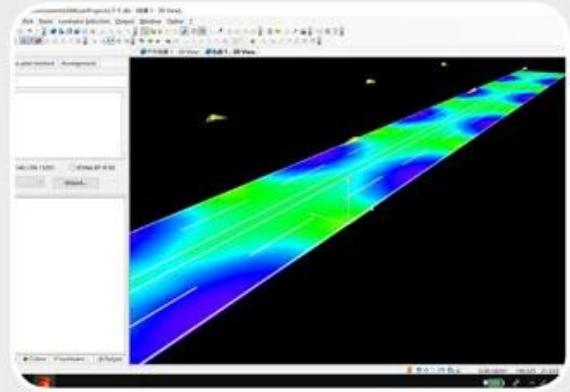


ingress protection (Ip) testing equipment.



led street lighting aging testing line.

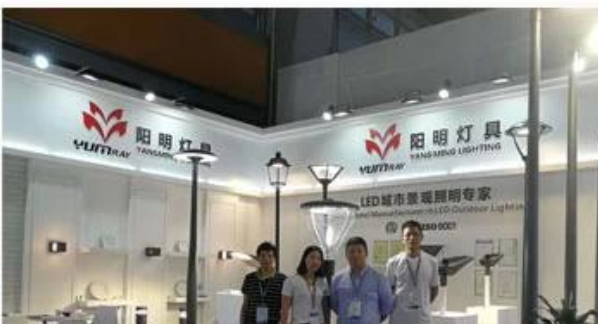
ingress protection (IP) testing equipment



road lighting simulation

ullbrich sphere for testing luminous flux

Exhibittion





Add : Minyin industrial Zone, Liangnong Town,
Yuyao,Zhenjiang,China

Sale: 0574-22222345 / 22719888

0574-22672345(Fax)

Hotline: 0574-62359099

0574-62359077(Fax)

[Http://www.ym-lighting.com](http://www.ym-lighting.com)

www.yyym2001.1688.com

www.yangminglamps.en.alibaba.com

Packaging and shipping, Business terms:

شحنة

1. **FedEx / DHL / UPS / TNT** بالنسبة عينات, Door to door,
2. **By air or by sea** بالنسبة **Batches**, ل FCL: Airport / port that receives,
3. Customers who specify trade shippers or shipping methods,
4. 30-15. **موعد التسليم** في 7-5 أيام للعينات؛ Days for batch goods.

شروط الدفع

1. الدفع: **T / T.**, **الاتحاد الغربي**, **Moneygram.**, **Paypal.** **70 الرصيد** **30٪** ودائع **30٪**; before the delivery,
2. **موك: 1 قطع**,
3. Warranty: 5 years