

What is the details of our LED Garden light?

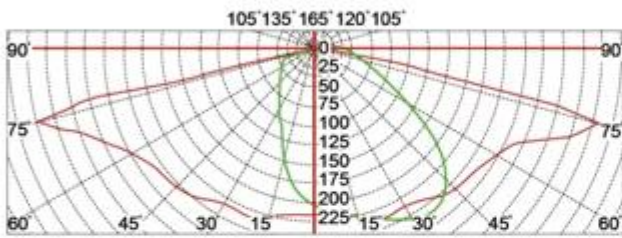
Die cast aluminum housing
Tempered glass mask
Sealed lamp housing
Double photometric diffuser technology
Equipped with NEMA socket

Configuration Data:

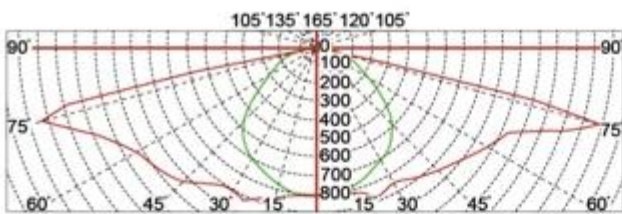
Product Code	Rated Power	LED Qty	Luminous Flux	G.W/N.W	Packing Size	Loading Qty
YMLED-6143(16)	30W	16	3750	10.3/8.8(kgs)	560*560*220mm	400PCS/20'GP
YMLED-6143(20)	40W	20	5000	10.3/8.8(kgs)	560*560*220mm	1008PCS/40'HQ
YMLED-6143(24)	55W	24	6875	10.3/8.8(kgs)	560*560*220mm	
YMLED-6143(28)	60W	28	7500	10.3/8.8(kgs)	560*560*220mm	
YMLED-6143(32)	70W	32	8750	10.3/8.8(kgs)	560*560*220mm	
YMLED-6143(36)	80W	36	10000	10.3/8.8(kgs)	560*560*220mm	
YMLED-6143(40)	90W	40	11250	10.3/8.8(kgs)	560*560*220mm	
YMLED-6143(44)	100W	44	12500	10.3/8.8(kgs)	560*560*220mm	
YMLED-6143(48)	105W	48	13125	10.3/8.8(kgs)	560*560*220mm	

Polar Diagram:

Type1



Type2



Type3





YMLED6143

RAL 7015



RAL 9005



Power range: 30w-105w

AC120v-277v 50/60Hz

CREE XTE LED chip

INVENTRONICS driver

Die cast aluminum housing

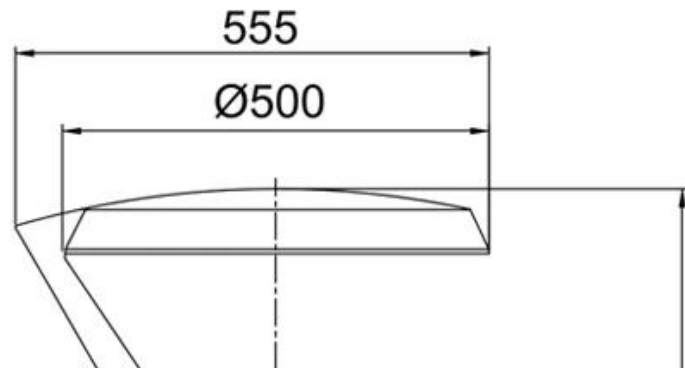


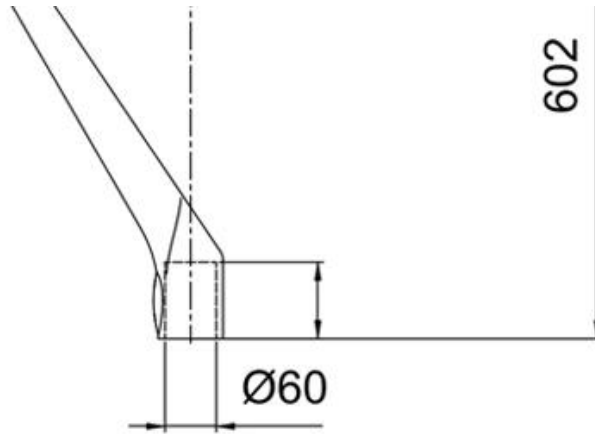
IP65

Certificate



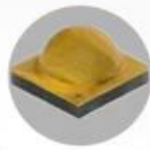
Product Dimensions(mm)





Configuration Data:

Internal Structure



Die cast aluminum housing

Tempered glass

CREE XTE LED chip

Install pipe D76mm





Company Profile

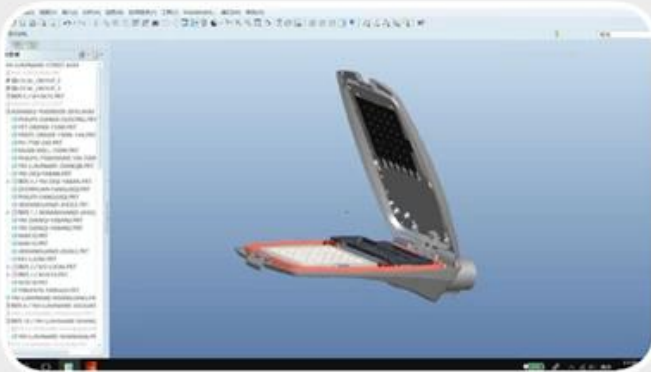
Yuyao Yangming Lighting Co., Ltd. is mainly engaged in the development and production of garden lighting. Founded in 2001, it has developed more than 200 kinds of Garden lights, street lights, lawn lights, footpath lights, light poles, led lights and wall lights.

Now we are creating our own brands and developing products suitable for market. Welcome all friends to contact us. We will make contribution to lightening your home.





Testing and Design



product design



ingress protection (Ip) testing equipment.

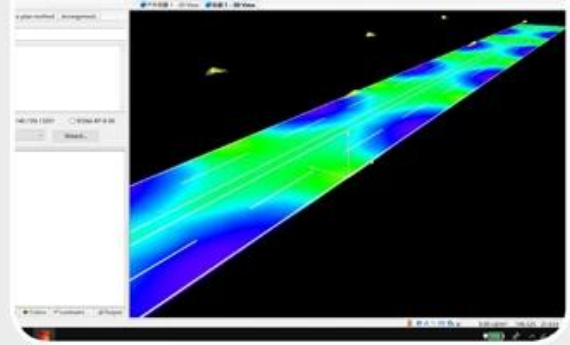


led street lighting aging testing line.





ullbrich sphere for testing luminous flux



road lighting simulation

Exhibittion

