

What are the details of our LED Light Bard.?

Die-cast aluminum housing, surface treatment for electrostaic coating

UV-Stop PC lamp cover

Sealed lamp housing

What are the specifications of ours [CARRIED Light Bard.](#)?

Insulation class	Power supply	LED Current	Power factor	Work environment	Duration	CRI.	CCT.
Class I.	120-277 V. 50 / 60Hz.	700mA.	> 0.95.	-35. ° C to +45 ° C.	> 30,000 hours	RA> 75.	3000K-6500K.

Product code

Ymeled-6218.

Qty LED.

4 pcs.

Nominal power

8W.

Luminous flux

500-600lm.

G.W / N.W.

5 / 4.5kgs.

Packing size

250x250x830mm.

Product photo.

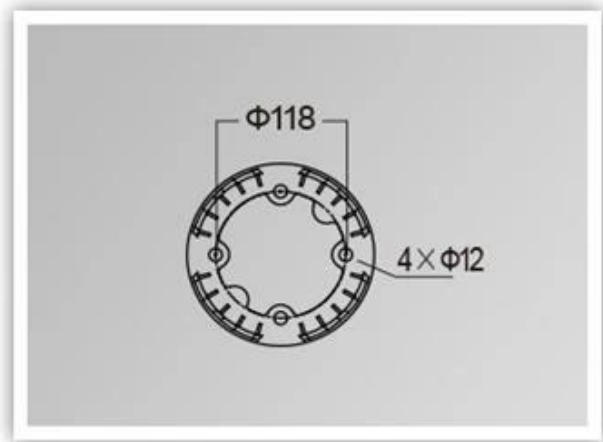
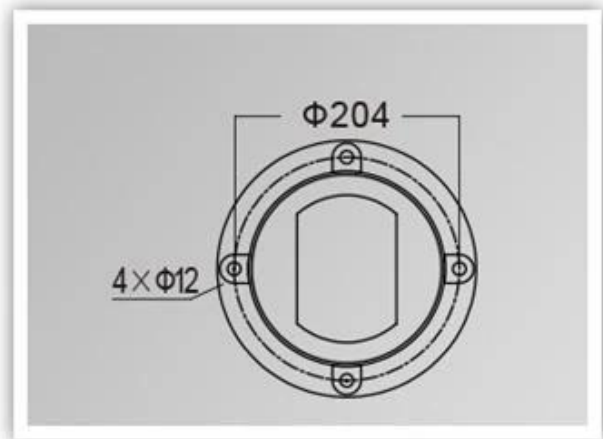
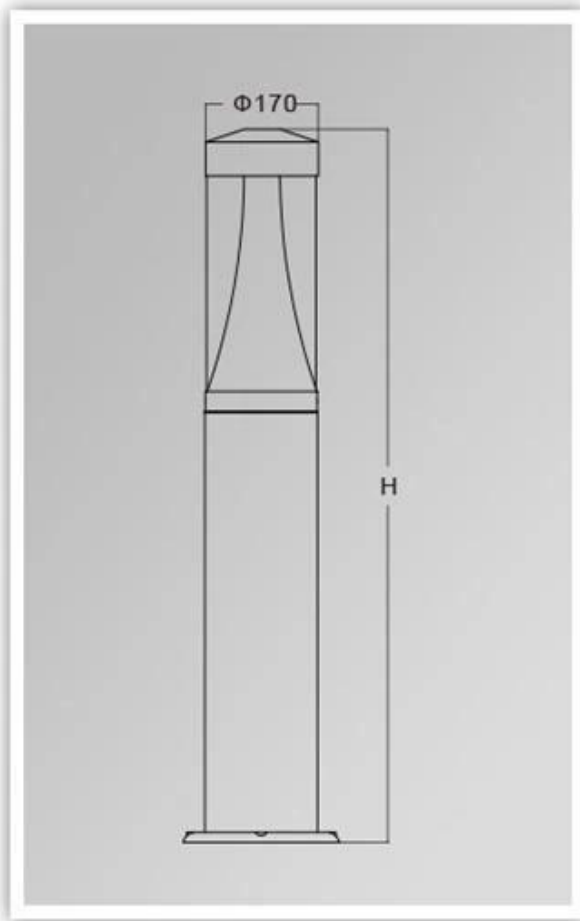
YMLED-6218B



PRODUCT DETAILS



PRODUCT DIMENSIONS(MM)



Packaging and shipping, Business terms:

Shipment

1. **FedEx / DHL / UPS / TNT** for **samples**, Door to door,
2. **By air or by sea** for **Batches**, for FCL; Airport / port that receives,
3. Customers who specify trade shippers or shipping methods,
- 4 **Delivery time**: 5-7 days for samples; 15-30 Days for batch goods.

Payment terms

1. Payment: **T / T., Western Union, Moneygram., Paypal.**; **30% deposits; 70% balance** before the delivery,
2. **MOQ: 1pcs,**
3. **Warranty: 5 years**